

JLA1T-00 Series

Intel® Comet Lake-S H410 Chip, support LGA1200 CPU (Max 100W), DDR4 up to 64GB

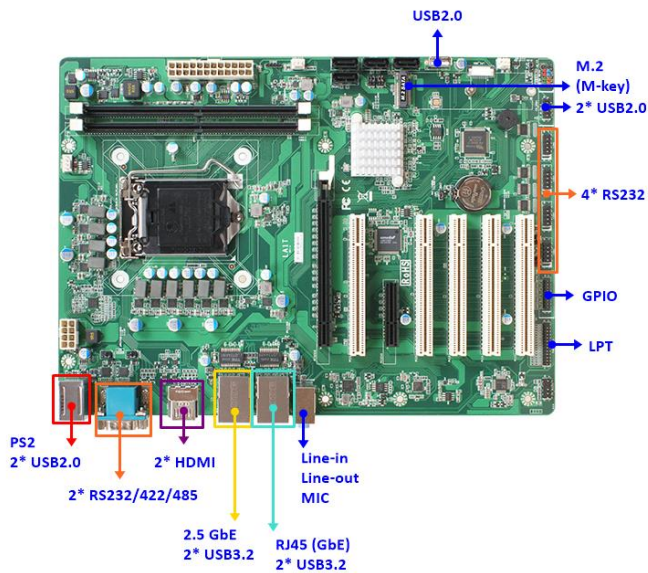
Features

1. Intel® LGA1200 Socket supports 10th Gen. Core Processor (Max 100W)
2. Intel® Comet Lake-S H410 Chip
3. 2* DDR4 2933/2666MHz up to 64GB
4. 1* Intel® i225-LM 2.5GbE, 1* Intel® i219-LM GbE
5. 4* SATA III (6Gb/s), 1* M.2 (M key)
6. 2* HDMI Output
7. 2* RS232/422/485, 4* RS232, 4* USB3.2, 5* USB2.0
8. 1* PCIe x16, 1* PCIe x4, 5* PCI Slots
9. ATX Power Input
10. ATX Form Factor (305 x 220mm)

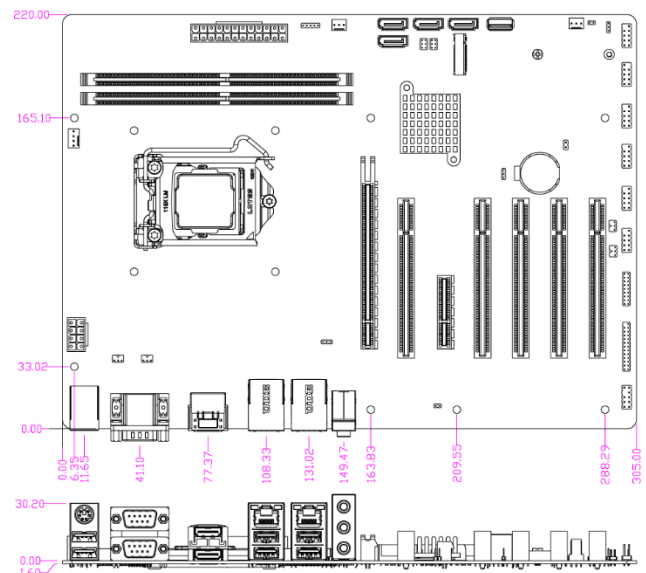


intel. FC CE RoHS COMPLIANT

I/O Diagram



Mechanical Drawings (Unit=mm)



Specifications

Model <ul style="list-style-type: none">JLA1T-00JLA1T-02 (TPM2.0)	Form Factor <p>ATX (305 * 220mm)</p>
Processor System <ul style="list-style-type: none">Intel® LGA1200 Socket supports 10th Gen. Core Processor (Max. 100W)Intel® H410 chipsetAMI 256M Flash ROM BIOS	Memory <p>2* DDR4 2933/2666MHz SO-DIMM up to 64GB</p>
Storage <ul style="list-style-type: none">4* SATAIII (6.0Gb/s, SATA4 Co-lay M.2)1* M.2 M-key (2242/2280, SATA interface, Co-lay SATA4)	Expansion <ul style="list-style-type: none">1* PCIe x161* PCIe x45* PCI
Ethernet <ul style="list-style-type: none">1* Intel® i225-LM 2.5GbE1* Intel® i219-LM GbE	Graphics <ul style="list-style-type: none">Intel® HD Graphics, shared memory2* HDMI 1.4 (Max Resolution: 4096x2304@24Hz)Support Dual Displays
Audio <ul style="list-style-type: none">Realtek ALC662 or ALC888 HD Audio CodecLine-Out, Line-in, MIC	Watchdog Timer <ul style="list-style-type: none">From Super I/O to drag RESETCON#256 segments (10sec ~ 255min)
Internal I/O <ul style="list-style-type: none">2* USB2.01* USB2.0 (Erect)4* RS232 (COM3/4 support 5/12V TTL)4* SATAIII1* LPT (Co-lay GPIO)1* GPIO (16 bit, Co-lay LPT)1* Chassis intrusion1* Audio Header1* SMBUS/ I2C1* AT mode1* TPM (option)	External I/O <ul style="list-style-type: none">2* HDMI1* 2.5GbE1* GbE4* USB3.2 (Gen1)2* USB2.0Line-out, Line-in, MIC2* RS232/422/485, support 5/12V TTL1* PS/2
Power <p>ATX power, AT/ATX Supported</p> <ul style="list-style-type: none">- AT: Directly PWR on as Power input ready- ATX: Press Button to PWR on after Power input ready	Compliance <p>CE, FCC, RoHS, REACH</p>
Temperature <ul style="list-style-type: none">Operating Temperature: 0 ~ 60° CStorage Temperature: -20 ~ 85° CHumidity: 10% ~ 90% RH @40°C (non-condensing)	OS Support <p>Windows 10 /11, Linux</p>
Warranty <p>2 Years limited warranty</p>	

* Specifications subject to change without notice, not responsible for typographical errors. Does not include HDD or OS.

Standard Accessories

Part Number	Description
JLA1T-00	JLA1T-00 M/B
JLA1T-02	JLA1T-02 M/B, support TPM2.0
F04-MB-059-2F	IO shield
G01-SATA3-BL-1F	2* SATA Cable
G01-COM9X2-30A-1F	1* COM9x2 cable