

**Dimension**

170 \* 81.9 mm

**Chipset**

Intel® i210IS GbE LAN

**Feature**

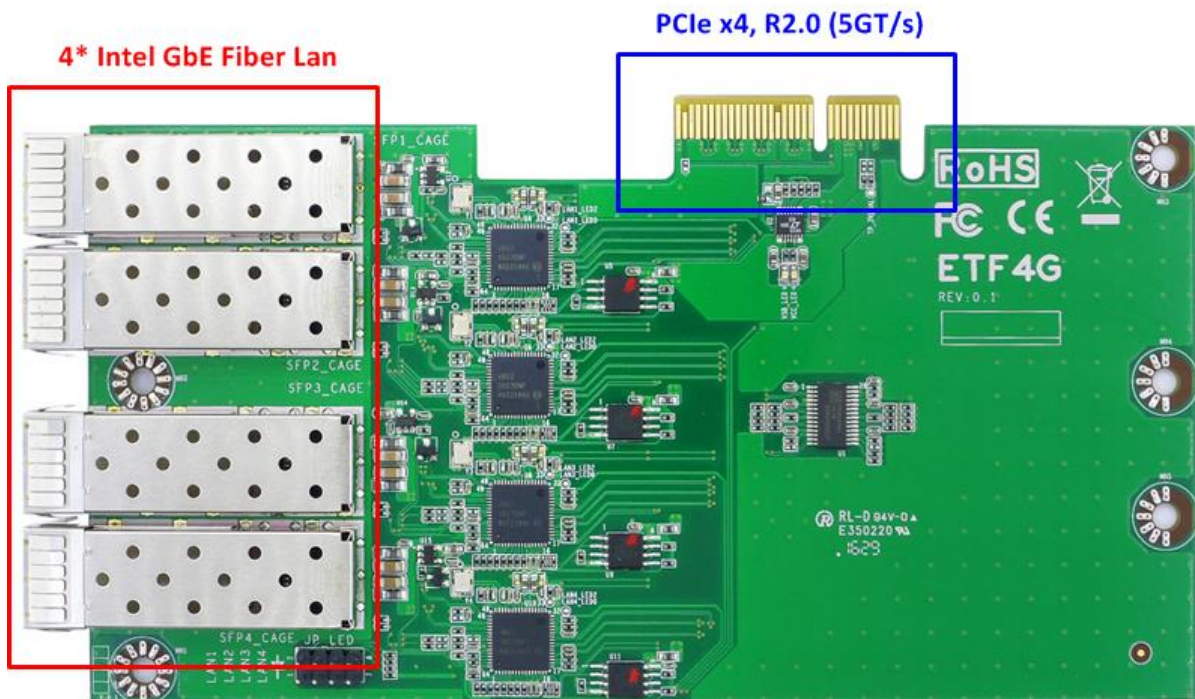
- 1. 4 \* Intel® GbE Fiber LAN
- 2. (Option) Support Wake on LAN S1/S3/S4/S5 mode

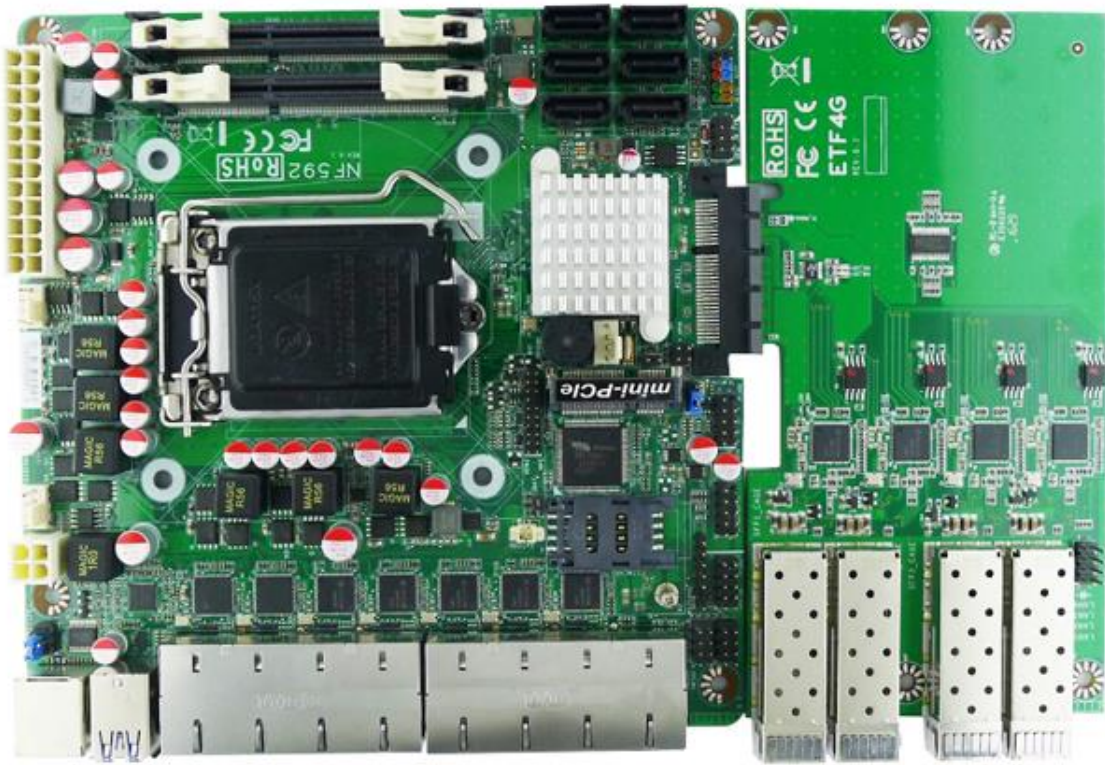
**Interface**

PCIe x 4, 2.0 (5GT/s) rate

**Application**

- 1. VPN
- 2. UTM
- 3. Network bandwidth controller
- 4. Mail spam
- 5. Virus spam





The figure shown JETF4G plug to the JNF592-Q170