

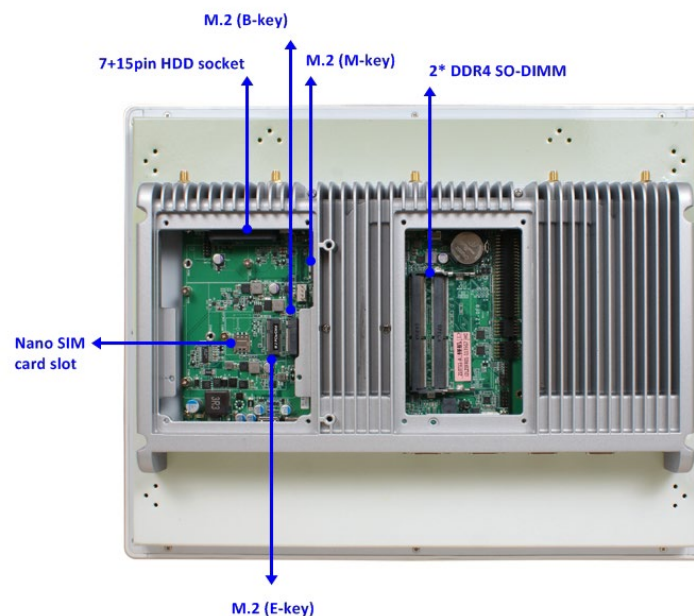
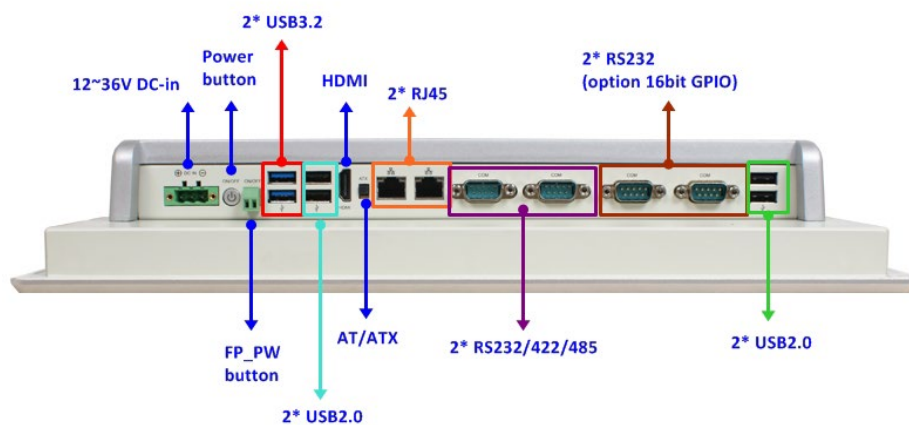
Aluminum Die-Cast Panel PC series, 15.0" TFT Fanless Touch Panel Computer with Intel® Tiger Lake 6305E
1.8GHz Dual Cores Processor

Features

1. 15.0" 350 nits TFT LCD with LED backlight
2. 10-points Multi Capacitive Touch
3. Support Open frameless design
4. A true Flat, easy-to-clean front surface with edge-to-edge design
5. Front IP65 for protection against water and dust
6. Aluminum Die-Cast Panel PC series, support for easy HDD and DARM installation
7. Support Cable less design
8. 12-36V DC-input Support, with Electrical Over Stress(EOS), OVP design
9. VESA Support 100x100mm



I/O Diagram



Specifications

Display

- IP65, NEMA 4 rugged protection, metal front bezel
- 15.0" With LED Backlight
- 350 nits
- 16.7m display color
- 1024 x 768 @60Hz resolution
- 178°/178° viewing angle (H/V)
- 0.099 x 0.297mm pixel pitch
- 4:3 aspect ratio
- 1000:1 contrast ratio
- 35ms response time

Case

- Aluminum panel
- Iron case
- White color
- Spray paint coating requirement

Storage

- 1* 2.5" SATA HDD
- 1* M.2 M key (2242/2280, PCI-Ex4)

I/O Connector

- 2* USB3.2 (Gen1)
- 4* USB2.0
- 2* RS232/422/485
- 2* RS232 (option 16bit GPIO)
- 1* HDMI
- 1* AT/ATX Mode Button
- 2* RJ45 (1* Intel® I225-V 2.5GbE, 1* Intel® I219LM GbE)
- 1* 12~36V DC-in Locking Jack
- 1* Power button
- 1* 2pin Front Power button

Power Consumption

45W

Compliance

CE, FCC, IP65(Front), Option

Temperature

- Operating Temperature: -10 ~ 60° C
- Storage Temperature: -20 ~ 70° C

Touch Screen

- Projected capacitive type
- 336.3 x 260.6mm ±0.3mm active range
- Transparency ≥85%
- Surface Hardness ≥6H (JIS-5400)

Main System

- Intel® Tiger Lake 6305E 1.8GHz/DC processor
- 2* DDR4 SO-DIMM (Max 64GB)
- 256MB SPI Flash ROM
- Watchdog Timer 256 levels, 0~255 sec.
- OS Support Windows 10 / Linux

Expansion

- 1* M.2 E key (2230) for WIFI
- 1* M.2 B key (3042/3052/6570) for 4G/5G Module (4pcs Built in Antenna)

Power Source

- AC version: 100~240V AC-DC 90W power adapter or
- DC version: 12VDC with over current protection fuse

Dimensions

382.3 x 288.6 x 63.1mm

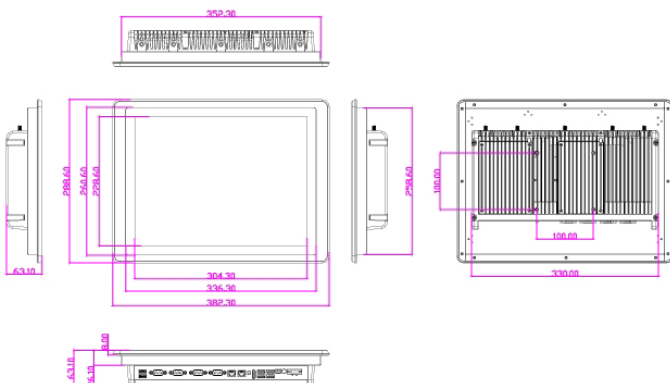
Safety

- Shock: 1ms duration
- Vibration: 5~500Hz/1 Grms

Warranty

2 Years Limited Warranty (Panel and Touch is only Warranty 1 Year)

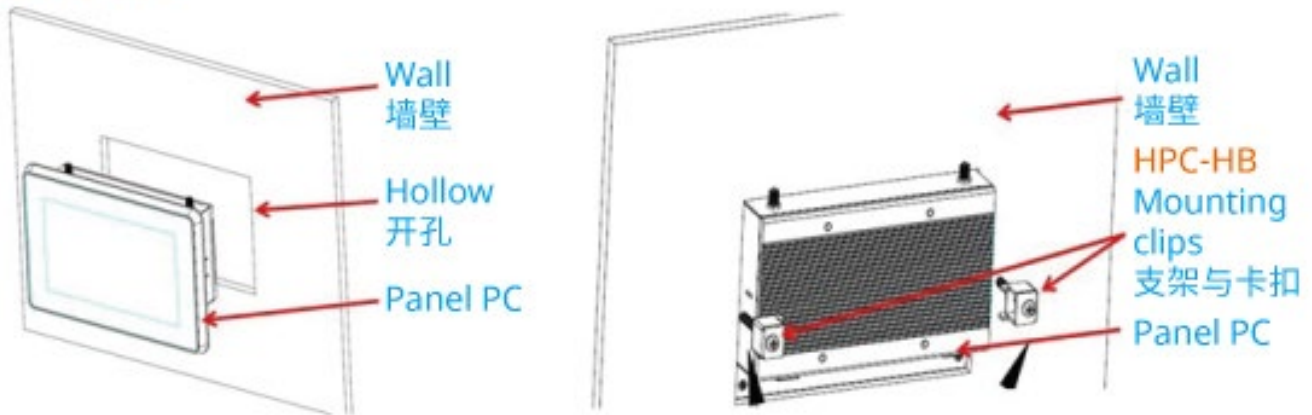
Mechanical Drawings (Unit=mm)



Standard Accessories

Part Number	Description
HPC150C-DCP6305E	HPC150C-DCP6305E
Change according to shipping area	Power cord
	90W AC-DC Adapter
HPC-HBD (option)	6* Mounting Clips

HPC-HB Mounting clips for 7", 8", 10.1" Panle PC



HPC-HBD Mounting clips for 10.4", 15", 15.6", 17", 18.5", 21.5", 23.8" Panle PC

