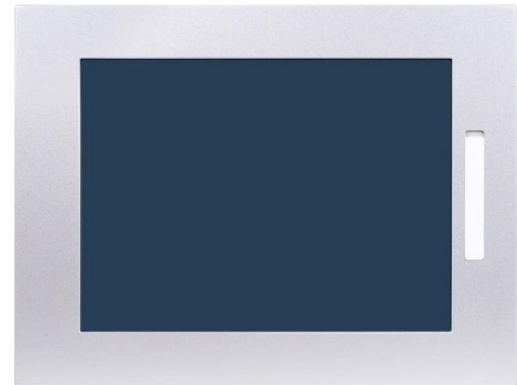


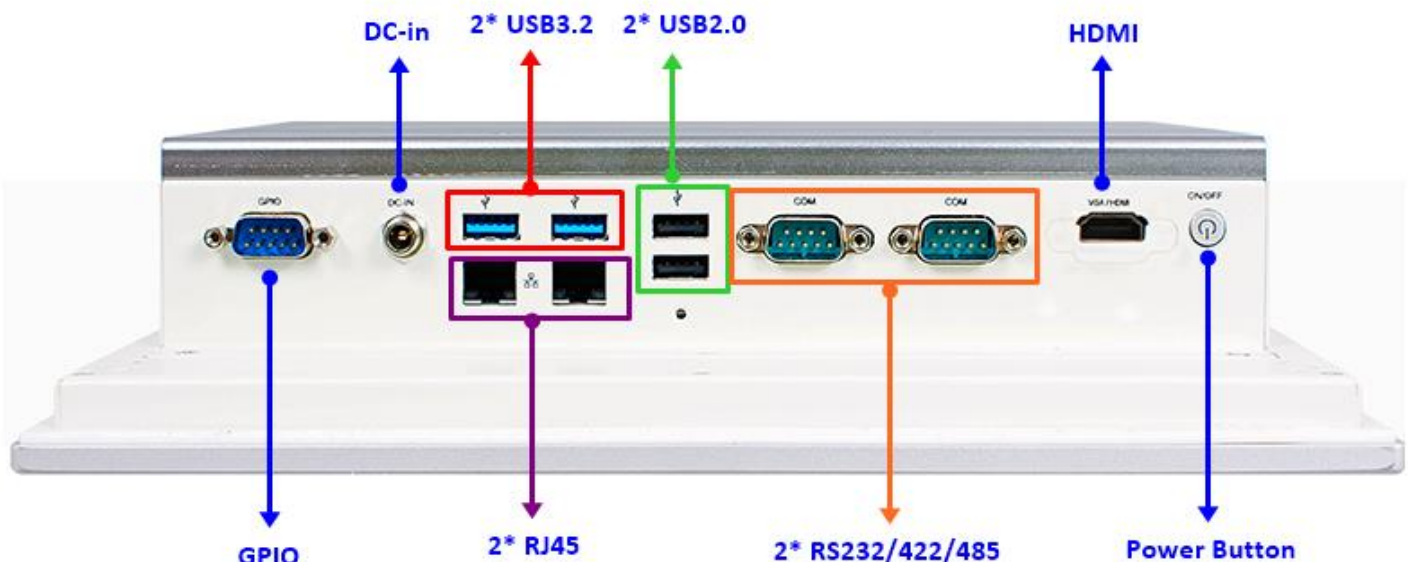
10.4" TFT FanLess Touch Panel Computer with Intel® Elkhart Lake J6412 2.0GHz Quad Cores Processor

## Features

1. 10.4" 400 nits high brightness TFT LCD with LED backlight
2. 5 Wire Resistive Touch/Anti-Reflection Protection Glass
3. Streamlined enclosure for highly efficient heat dissipation Enclosed in robust aluminum casings
4. Strong solid aluminum frame design and Fanless cooling system
5. Support Open frameless design
6. Design for easy Wall mount, Panel Mount, VESA Mount installation
7. A true Flat, easy-to-clean front surface with edge-to-edge design
8. USB2.0 Support Lock Device
9. IO Ports designed for easy connection
10. 12~28V DC-input Support, with EOS, OVP design
11. Support TPM2.0 (HPC104GR-HD6412T2 only)
12. VESA Support 100x100mm



## IO Diagram



## Specifications

### Model

HPC104GR-HD6412

### Display

- NEMA 4 rugged protection, metal front bezel
- 10.4" With LED Backlight
- 400nits Brightness (cd/m<sup>2</sup>)
- 262K display color
- 800 x 600 @ 60Hz
- 130°/140° viewing angle (H/V)
- 0.264 x 0.264mm pixel pitch
- 4:3 aspect ratio
- 400:1 contrast ratio
- 25ms response time

### I/O Connector

- 2\* USB3.2 (Gen1)
- 2\* USB2.0
- 2\* USB2.0 (Front)
- 2\* RS232/422/485
- 1\* HDMI2.0 (Max Resolution: 3840 x 2160@60Hz)
- 1\* 8bit GPIO
- 2\* Intel® i225-V 2.5GbE
- 1\* Locking Jack 12~28V DC input
- 1\* Power button

### Expansion

- 1\* M.2 E-key (2230 for WIFI/BT Module)
- 1\* M.2 B-key (3042/3052 for 4G/5G Module)

### Power

- AC version: 100~240V AC-DC 60W power adapter or
- DC version: 12VDC with over current protection fuse
- Consumption: 29.5W

### Safety

- Shock: 15G, 11ms duration
- Vibration: 5~500Hz/1 Grms

### Temperature

- Operating: -10°C ~ 60°C (with W.T. DRAM/HDD in airflow condition)
- Operating: -10°C ~ 60°C (with W.T. DRAM/HDD)
- Storage: -20°C ~ 70°C

\* Specifications subject to change without notice, not responsible for typographical errors. Does not include HDD or OS.

### Main System

- Intel® Elkhart Lake J6412 2.0GHz/QC processor
- DDR4-3200MHz SO-DIMM up to 32GB
- 128MB SPI Flash ROM BIOS
- 2\* 3W/8Ω speaker
- Watchdog Timer 256 levels, 0~255 sec.
- OS Support Windows 10/ 11 / Linux (Option)

### Touch Screen

- 5 wires analog resistive type
- 211.58 x 158.75mm ±0.2mm
- Operating Force ≤ 80g
- Transparency 80 ±3%
- Surface Hardness ≥ 3H (ASTM D3363, pressure 750g/45°)
- 10,000,000 times keystrokes

### Storage

- 1\* 2.5" SATA bay
- 1\* M.2 M-key (2242/2280, SATA/NVMe)

### Case

- Aluminum panel
- Iron case
- Silver + White color
- Spray paint coating requirement

### Compliance

CE, FCC

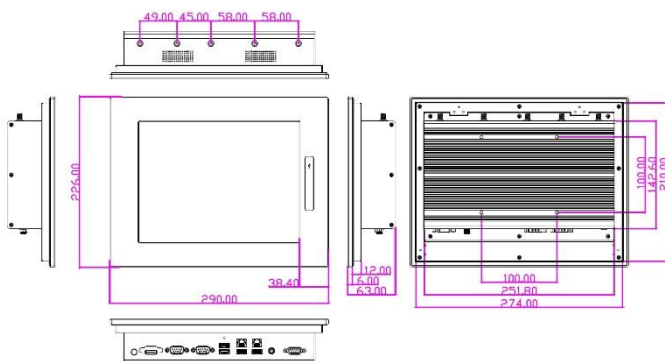
### Dimensions

400 x 335 x 74mm

### Warranty

2 Years Limited Warranty (Panel is 1 Year Warranty only)

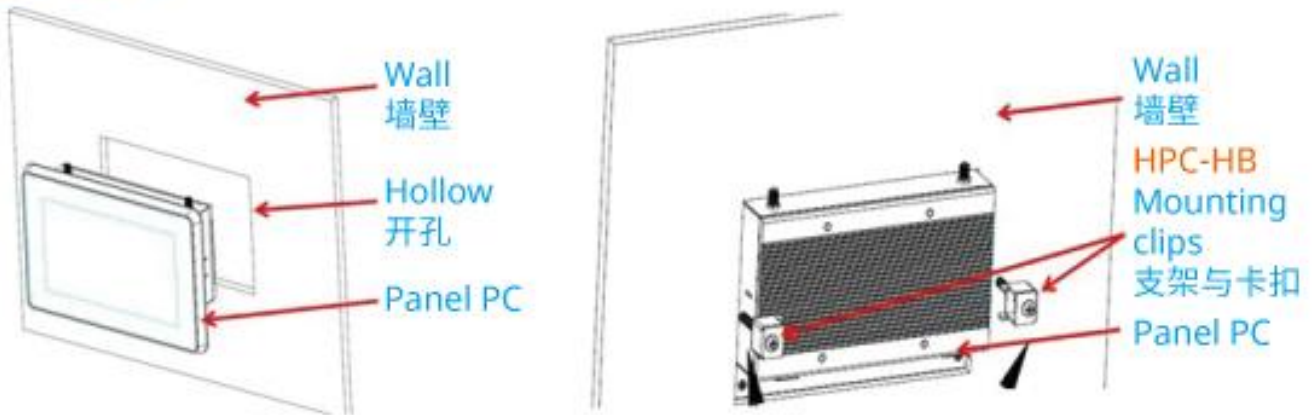
## Mechanical Drawings (Unit=mm)



## Standard Accessories

Part Number	Description
	HPC104GR-HD6412
	Power cord
	60W AC-DC Adapter
HPC-HBD (option)	4* Mounting Clips

### HPC-HB Mounting clips for 7", 8", 10.1" Panel PC



### HPC-HBD Mounting clips for 10.4", 15", 15.6", 17", 18.5", 21.5", 23.8" Panel PC

