



HBJC153F9HG-2930-B Series



1. Intel® Bay Trail-M N2930 SoC Processor
2. 2 * DDR3L 1333/1066MHz SO-DIMM up to 8GB
3. 1 * USB3.0, 1 * USB2.0, 4 * RJ45, 1 * VGA, 2 * COM, 1 * GPIO
4. M/B Form Factor: Slim Mini ITX (170x170mm)
5. AC 90~240V_200W FLEX PSU

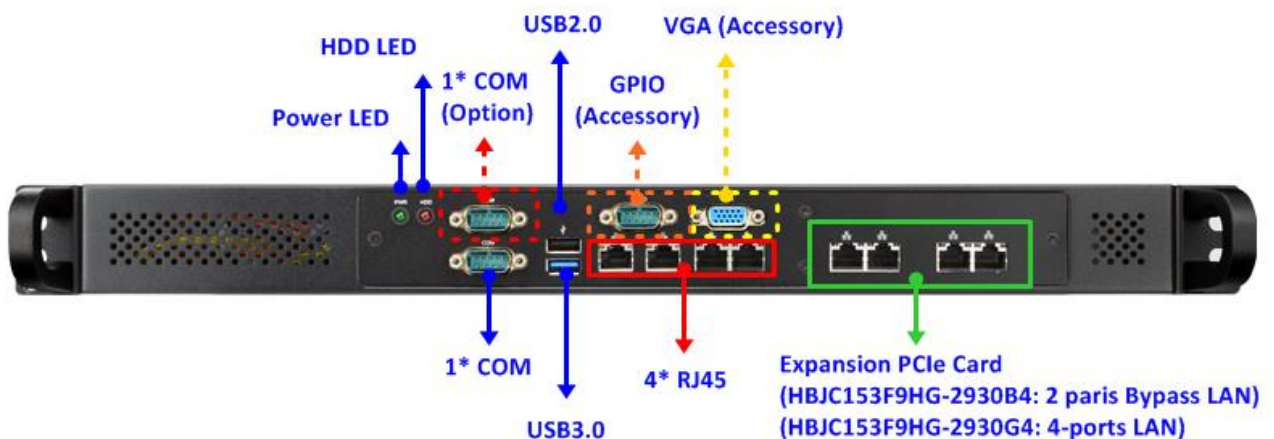


External I/O

Rear



Front

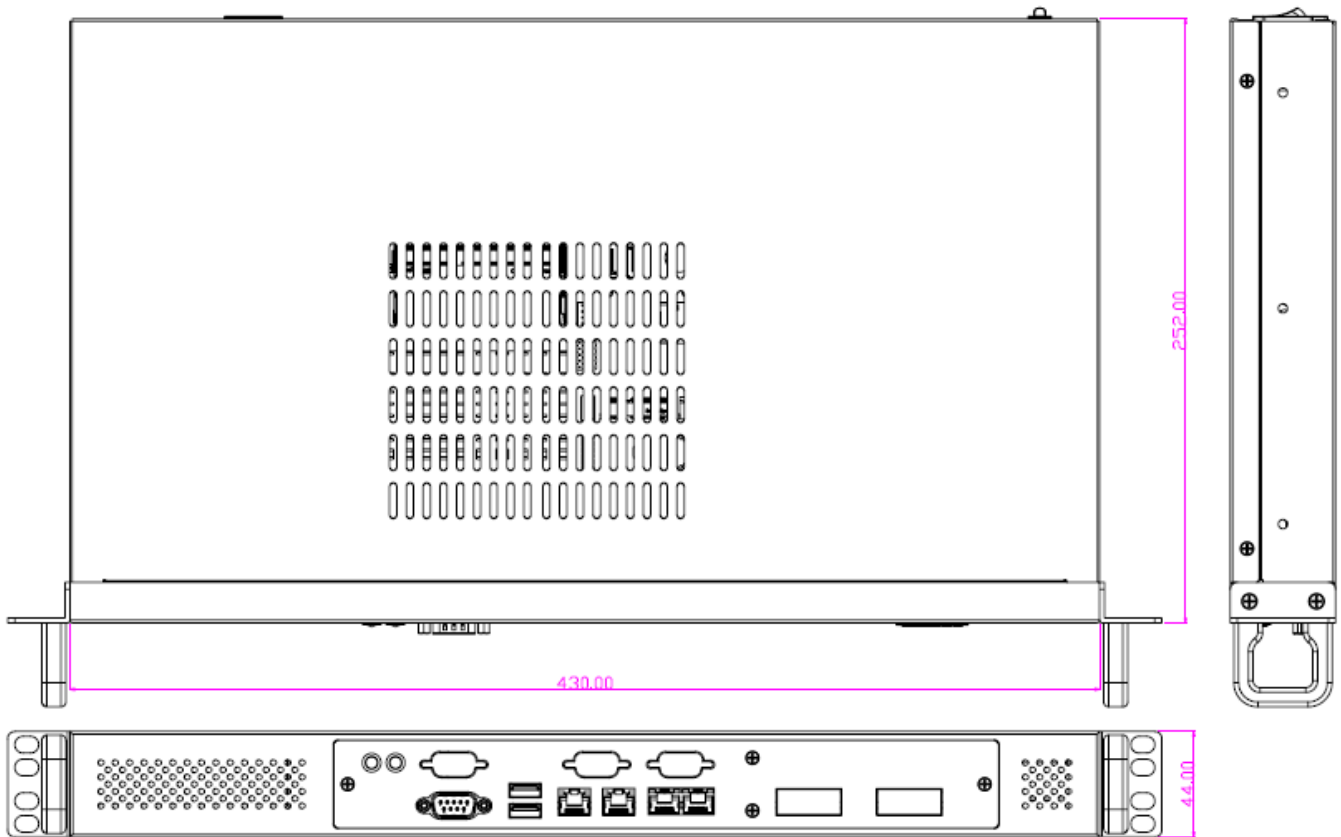


Specifications

MB Model	JNF9HG-2930 / Mini-ITX		
Part No	Standard	4 ports GbE PCI-E expansion card	2 Paris of Bypass LAN expansion card
	- HBJC153F9HG-2930-B	- HBJC153F9HG-2930 G4	- HBJC153F9HG-2930 B4
BIOS	AMI 64MB SMT Flash ROM		
CPU/Chipset	Intel® Bay Trail-M N2930 SoC Processor (Default)		
Memory	Support 2 * DDR3L 1333/1066MHz SO-DIMM up to 8GB		
Storage	<ul style="list-style-type: none"> ● Support 2 * 2.5" SATA Drive bay ● Support 1 * full-size mSATA/Mini-PCI Express shared slot 		
Expansion	<ul style="list-style-type: none"> ● 1 * full size Mini-PCIe ● 1 * SIM card slot ● Support TPM (optional) 		
Network	<ul style="list-style-type: none"> ● 4 * Intel i211AT GbE ● 1 * full-size Mini-PCIe slot (802.11 b/g/n + BT 4.0 installed in WiFi model) 		
Rear Panel I/O	<ul style="list-style-type: none"> ● 1 * Power switch ● AC input / 1U FLEX 200W Power build in 		
Front Panel I/O	<ul style="list-style-type: none"> ● 4 * RJ45 ● 1 * USB3.0 ● 1 * USB2.0 ● 1 * VGA (Max. 1920×1200@60Hz) (Not assembled when shipped, wire placed in the parts box) ● 2 * COM (1* option) ● 1 * PW LED, 1 * Alarm LED ● 1 * GPIO (Not assembled when shipped, wire placed in the parts box) ● 4 ports GbE PCIe expansion card: HBJC153F9HG-2930G4 ● 2 pairs of Bypass LAN PCIe expansion card: HBJC153F9HG-2930B4 		
Power Source	<ul style="list-style-type: none"> ● 1U FLEX 200W Power build in ● AC 90~240V input 		
Compliance	CE, FCC, RoHS		
Temperature	<ul style="list-style-type: none"> ● Operating Temperature: 0 ~ 40° C ● Storage Temperature: -10 ~ 70° C 		
Dimensions	430 (W) x 252 (D) x 44 (H) mm		
Packing	<ul style="list-style-type: none"> ● Net Weight: 4.2KG ● Gross Weight: 5KG ● Color Box dimension: 560 (W) * 400 (D) * 380 (H) mm 		
OS Support	Windows 7, Windows 8.1, Windows 10, Linux		
Warranty	2 Years limited warranty		

*Specifications subject to change without notice, not responsible for typographical errors. Does not include HDD or OS.

Mechanical Drawings (Unit = mm)



Standard Accessories

Parts Number	Description
-----	HBJC153F9HG SERIES
G01-VGA2-18K16-F	VGA cable/ L=18cm
G01-GPIO9-M30-F	GPIO cable COM9/M L=30cm
Change according to shipping area	Power cord
LCSCJC150-F	Screw pack