



# HBJC153F592 Series



1. Intel® LGA 1151 6<sup>th</sup>/7<sup>th</sup> Gen. Core i3/i5/i7 & Celeron Processors
2. 2\* SO-DIMM DDR3L 1333MHz up to 16GB
3. 2 \* USB3.0, 8 \* RJ45, 1 \* HDMI, 1 \* COM (RJ45 type), onboard TPM (option)
4. M/B Form Factor: Slim Mini ITX (170x170mm)
5. AC 90~240V\_250W FLEX PSU Power

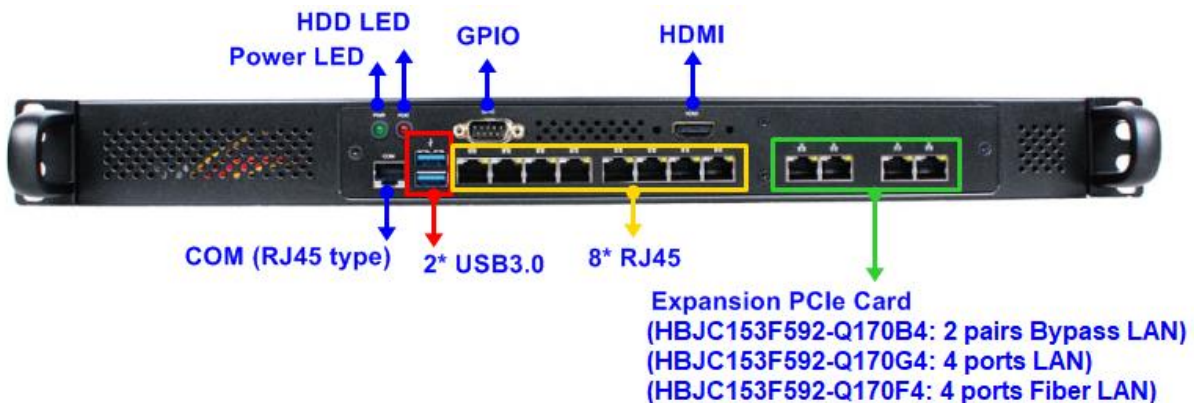


## External I/O

### Rear



### Front

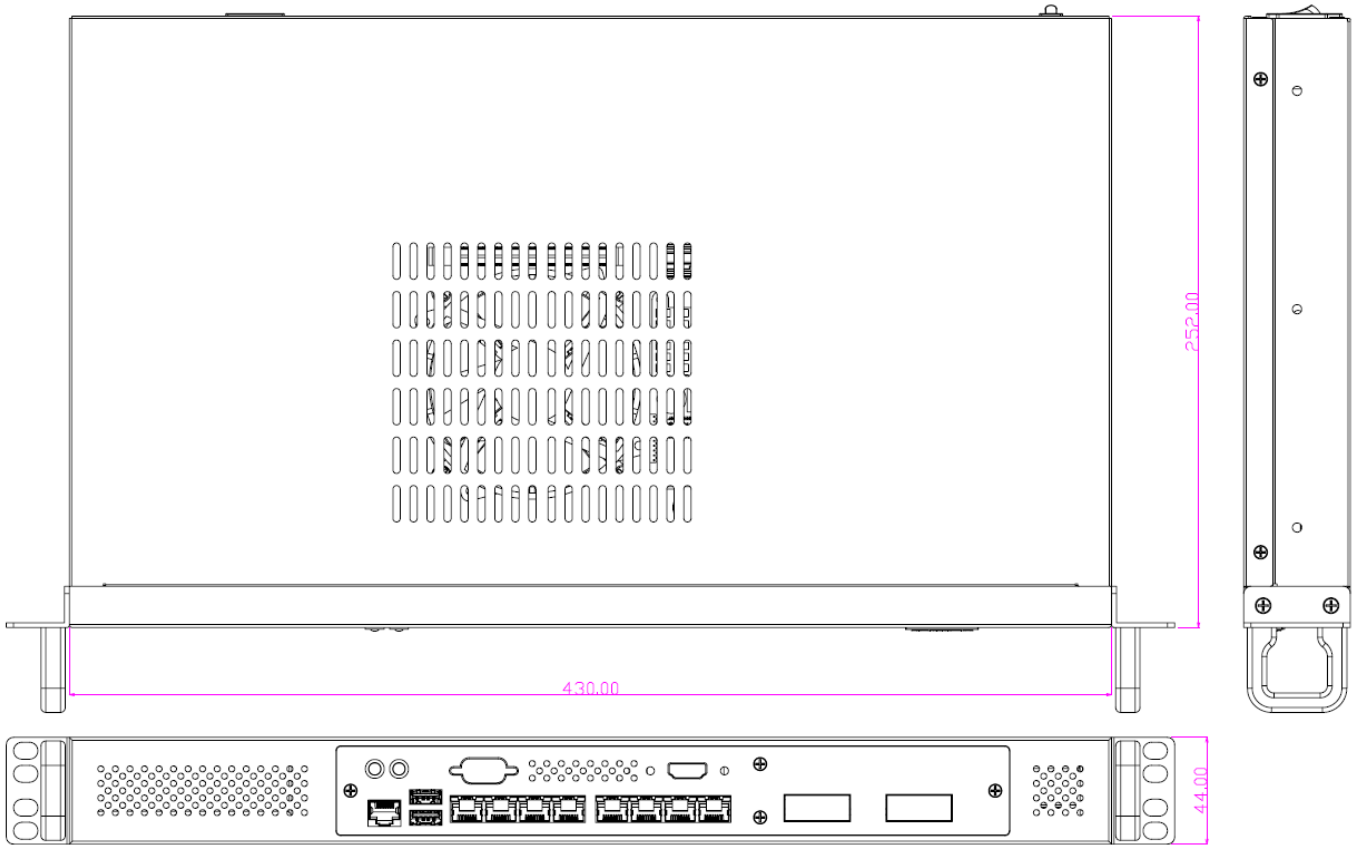


## Specifications

<b>M/B Model</b>	JNF592-Q170 / Mini-ITX	
<b>Part No</b>	Standard	Expandable 4 ports GbE PCIe Card
	- HBJC153F592-Q170-B	- HBJC153F592-Q170G4
	Expandable 2 Paris of Bypass LAN	Expandable 4 ports Fiber GbE PCIe Card
	- HBJC153F592-Q170B4	- HBJC153F592-Q170F4
<b>BIOS</b>	AMI 128MB SMT Flash ROM	
<b>CPU/Chipset</b>	● Intel® LGA 1151 Socket 6 <sup>th</sup> /7 <sup>th</sup> Gen. Core i7/i5/i3/Pentium/Celeron Processor	
<b>Memory</b>	Support 2 * SO-DIMM DDR3L 1333/1066MHz up to 16GB	
<b>Storage</b>	Support 2 * 2.5" SATA Drive bays	
<b>Expansion</b>	<ul style="list-style-type: none"> <li>● 1 * full size Mini-PCIe</li> <li>● 1 * SIM card slot</li> <li>● Support TPM (optional)</li> </ul>	
<b>Network</b>	<ul style="list-style-type: none"> <li>● 1 * Intel i219LM GbE &amp; 7 * Intel i211AT GbE</li> <li>● 1 * Full-size Mini-PCIe slot</li> </ul>	
<b>Rear Panel I/O</b>	<ul style="list-style-type: none"> <li>● 1 * Power switch</li> <li>● AC input</li> </ul>	
<b>Front Panel I/O</b>	<ul style="list-style-type: none"> <li>● 8 * RJ45</li> <li>● 2 * USB3.0</li> <li>● 1 * COM (RJ45 type)</li> <li>● 1 * PW LED, 1 * Alarm LED</li> <li>● 1 * HDMI (Max. Resolution: 4096x2160@24Hz, Not assembled when shipped, wire placed in the parts box)</li> <li>● 1 * GPIO (Not assembled when shipped, wire placed in the parts box)</li> <li>● 4 ports Intel i211AT GbE PCIe expansion card: HBJC153F592-Q170G4</li> <li>● 2 pairs of Bypass LAN PCIe expansion card: HBJC153F592-Q170B4</li> <li>● 4 ports Intel i210IS Fiber GbE PCIe expansion card: HBJC153F592-Q170F4</li> </ul>	
<b>Power Source</b>	<ul style="list-style-type: none"> <li>● 1U 250W FLEX PSU Power</li> <li>● AC 90~240V input</li> </ul>	
<b>Compliance</b>	CE, FCC, RoHS	
<b>Temperature</b>	<ul style="list-style-type: none"> <li>● Operating Temperature: 0 ~ 40° C</li> <li>● Storage Temperature: -10 ~ 70° C</li> </ul>	
<b>Dimensions</b>	430 (W) x 252 (D) x 44 (H) mm	
<b>Packing</b>	<ul style="list-style-type: none"> <li>● Net Weight: 4.2KG</li> <li>● Gross Weight: 5KG</li> <li>● Color Box dimension: 560 (W) * 400 (D) * 380 (H) mm</li> </ul>	
<b>OS Support</b>	<ul style="list-style-type: none"> <li>● Skylake CPU support Win7, Win8, Win10.</li> <li>● Kabylake CPU only support Win10.</li> </ul>	
<b>Warranty</b>	2 Years limited warranty	

\*Specifications subject to change without notice, not responsible for typographical errors. Does not include HDD or OS.

## Mechanical Drawings (Unit = mm)



## Standard Accessories

Parts Number	Description
-----	HBJC153F592 SERIES
G01-2X10A-HDMI-1F	HDMI cable/ L=25cm
G01-GPIO9-M30-F	GPIO cable COM9/M L=30cm
G01-PS2-7P-F	CABLE PS2 MD6F TO 1*7PX2 K2 HSG L=25cm
F07-FN959528-F	95*95*28mm DC CPU FAN
Change according to shipping area	Power cord
LCSCJC150-F	Screw pack