



2023

Panel PC Catalogue

JETWAY INFORMATION CO., LTD.

Jetway Panel PCs provide cost-effective, reliable and easy installation solutions which can fulfill daily operation, audit, management and future expansion.

www.jetwayipc.com



捷波資訊股份有限公司
JETWAY INFORMATION CO., LTD.

Introduction

Jetway full range of Touch Panel PCs are uniquely industrial crafted, enhanced usability and aesthetics to workspace, and suitable for all kinds of environments, with a variety of sizes, wall mount design, expandable, IP65 and IP67 certification, stainless steel shell design, multi-touch functions and other functions. Jetway Touch Panel PC is divided into five series to support different purposes of industrial use:

1. Heavy-Duty Fanless Touch Panel PC
2. Flat-Panel Fanless Touch Panel PC
3. Stainless Rugged Fanless Touch Panel PC
4. Standard Design Touch Panel PC
5. ARM-Based Fanless Touch Panel PC and Display

Jetway devotes to innovate in Touch Panel PC products which support industrial applications and solutions, and reduce customers' development and approval costs.

Jetway Information Co., Ltd. was established in Taipei, Taiwan 1986, is a world-leading innovator and manufacturer, by providing wide-range PC peripheral solutions and services to meet customers' needs.

Jetway entered the Industrial PC market in 2005 by developing Single-Board Computers and non-PC platforms. With our expertise, Jetway has built a well-known reputation at IPC markets. Jetway IPC solution products has been successfully phased-in to several applications: points of sales (POS), Kiosk and Digital signage, Surveillance system, Industrial Automation, Health Care Terminals, Gaming and Amusement Industrial, Residential control, Transportation, Military, In-Car System, Tele-Communication, Banking/ATM, Storage...etc.

More than 100 highly qualified engineers support with our experienced sales teams, global business units and partners to create solutions that meet our customer's application demand, Jetway's product longevity, professional engineering, fast support, and value-ased services, helps create a sustainable and viable embedded solution for OEMs and system integrators.

Heavy-Duty Fanless Touch Panel PC Benefit & Application

Jetway Heavy-Duty Fanless Panel PC offers complete robust solution for harsh industrial environments, such as cloud computing, IoT solution, transportation, heavy-vehicles, intelligent building, oil pipe monitoring systems, environmental monitoring, steel refineries, machine control and factory automation.

Jetway Heavy-Duty Fanless Panel PCs are designed with 5-wires resistive touch screen for 4:3 size panel and projected capacitive type touch screen for 16:9 size panel. High brightness TFT LCD panel with LED backlight are equipped with all models. Cable-free design is easy for the HDD and memory installation. Streamlined enclosure with strong solid aluminum frame design, it provides good heat dissipation and achieve fanless cooling system.

Jetway Heavy-Duty Panel PCs are also designed for open frame application. There are different panel size (10.4", 15", 17" and 18.5") to meet customers' requirements. Heavy-duty Panel PC is designed mounting clips for easy Wall mount, Panel Mount, VESA Mount installation.

It is a true flat, IP65 front panel with easy-to-install and easy-to-clean design. Welcome to use Jetway Heavy-Duty Panel PC.

Index

- **HPC104GR-HD1900B.....04-05**
- **HPC150GR-HD1900B.....06-07**
- **HPC170GR-HD1900B.....08-09**
- **HPC170GR-HD6412.....10-11**
- **HPC-185SC-HD1900B.....12-13**

1. Fanless and cable-free design
2. High brightness
3. Suitable for harsh environment
4. Aluminum front panel frame, excellent back aluminum heat sink design
5. Support VESA wall mount, easy to assemble

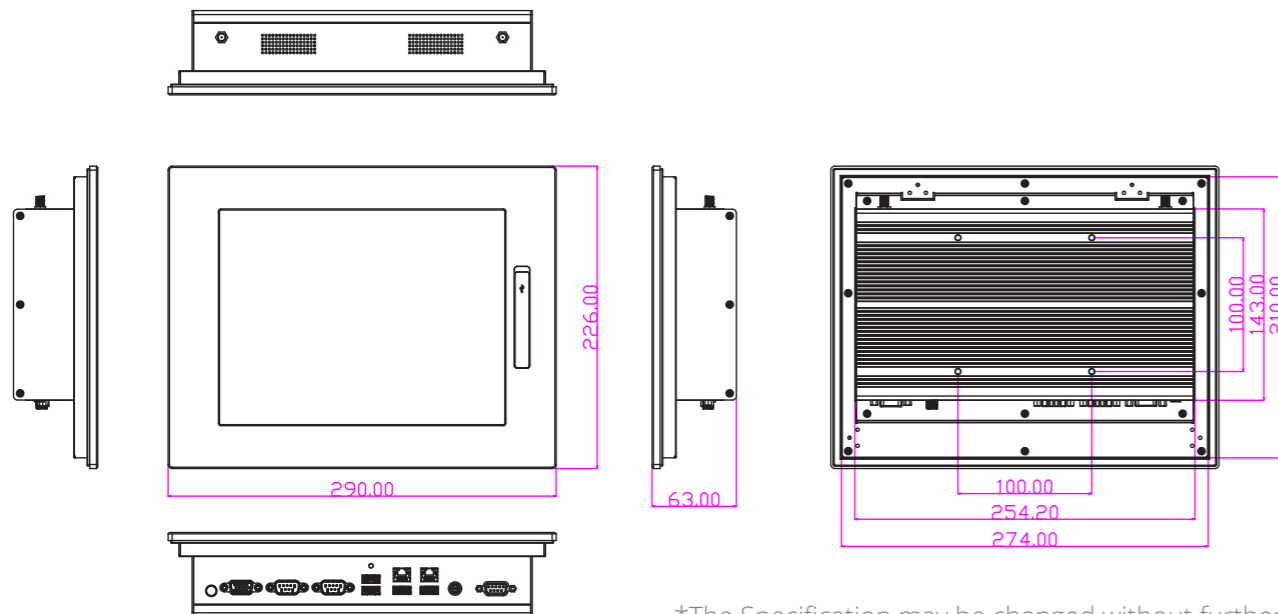
HPC104GR-HD1900B



Features

- 10.4" 400 nits high brightness TFT LCD with LED backlight
- Onboard Intel® Bay Trail-D J1900 2.0GHz Quad Cores CPU
- Onboard 4G/1333MHz DDR3L Memory
- Support 2* Intel® Gigabit LAN, 2* COM (COM1/2 Support RS232/422/485), 2* USB3.0, 4* USB2.0, 8bit GPIO Port, Support Front USB
- Support 1* SATA, 1* M.2 (2242/2260/2280), 1* Mini PCI-E(Full size), Support 4G SIM Card
- Support wide voltage input 9~28V DC
- Support TPM2.0 (HPC104GR-HD19BT2 only)
- IP65-rated front bezel

Mechanical Dimension (Unit: mm)



*The Specification may be changed without further notice.
www.jetwayipc.com

Specifications

HPC104GR-HD1900B

Display

Front Bezel	NEMA 4 rugged protection, metal front bezel
Display Type	10.4" With LED Backlight
Brightness (cd/m ²)	400 nits
Display Color	262K
Resolution	800 x 600 @ 60Hz
Viewing Angle (H/V)	130°/140°
Pixel Pitch	0.264 x 0.264 mm
Aspect Ratio	4:3
Contrast Ratio	400:1
Response Time	25 ms

Touch Screen

Type	5 wires analog resistive type
Active Range	211.58 x 158.75mm ±0.2mm
Transparency	80 ±3%
Surface Hardness	≥ 3H (ASTM D3363, pressure 750g/45°)
Operating Force	≤ 80g
Knock test	10,000,000 times keystrokes

Main System

CPU	Intel® Bay Trail-D J1900 2.0GHz/QC
RAM	4G 1333MHz DDR3L DRAM
BIOS	64MB SPI Flash ROM
Storage	1* 2.5" SATA HDD 1* M.2 (2242/2260/2280)
Speaker	2* 3W/8Ω
Watchdog Timer	255 levels, 0~255 sec.
OS Support	Windows 7 / 8.1 / 10 / Linux

Power

Power Input	100~240V AC-DC 60W 9~28V DC with over current protection fuse
Consumption	25W

Dimensions

Case Dimensions	290.0 * 226.0 * 63.0mm
-----------------	------------------------

Certifications

Certifications	CE, FCC, IP65 (Front)
----------------	-----------------------

I/O Connector

I/O Ports and Switches	2* USB3.0, 2* USB2.0, 2* USB2.0 (Front), 2* RS232/422/485, 1* VGA, 1* GPIO, 2* GbE, 1* Power button, 1* Lockable Jack 9~28V DC-in
------------------------	---

Environment

Temperature	Operating: -10°C ~ +60°C Storage: -20°C ~ +70°C
Shock	15G, 11ms
Vibration	5~500Hz/1Grms

Expansion

Interface	1* Mini PCIe slot for WIFI or 3G/4G
-----------	-------------------------------------

*The Specification may be changed without further notice.
www.jetwayipc.com

1. Fanless and cable-free design
2. High brightness
3. Suitable for harsh environment
4. Aluminum front panel frame, excellent back aluminum heat sink design
5. Support VESA wall mount, easy to assemble

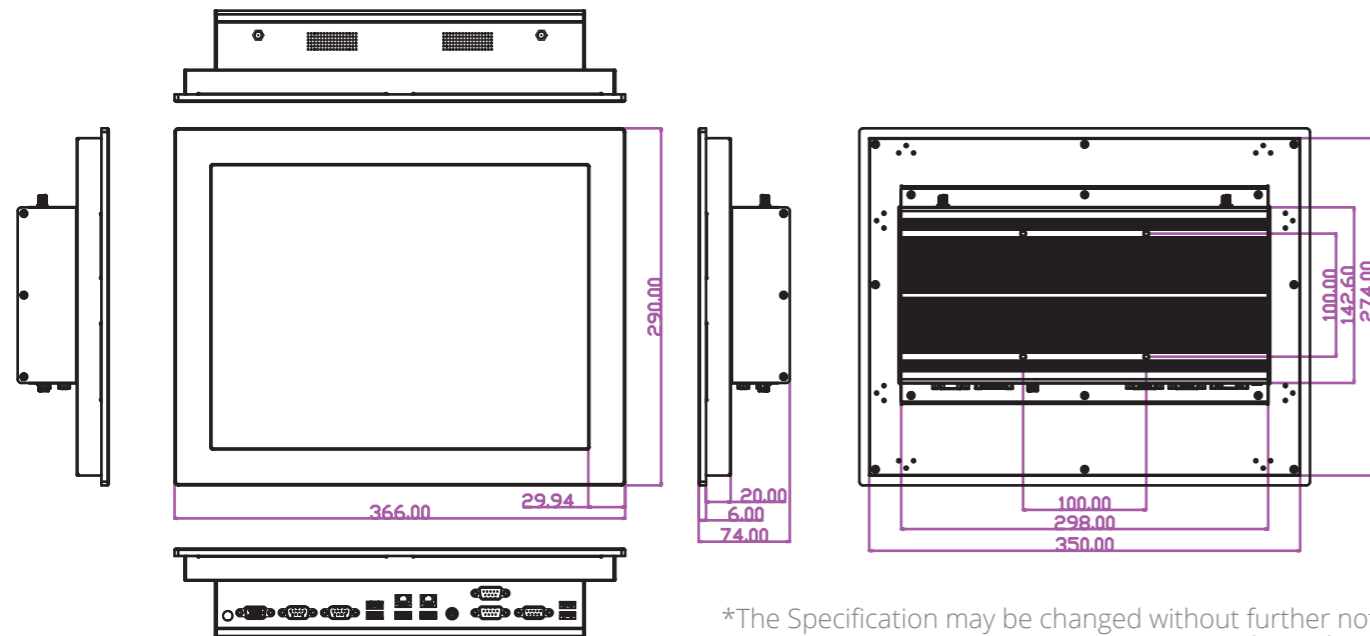
HPC150GR-HD1900B



Features

- 15.0" 350 nits high brightness TFT LCD with LED backlight
- Onboard Intel® Bay Trail-D J1900 2.0GHz Quad Cores CPU
- Onboard 4G/1333MHz DDR3L Memory
- Support 2* Intel® Gigabit LAN, 4* COM (COM1/2 Support RS232/422/485)
- Support 2* USB3.0, 4* USB2.0, 8bit GPIO
- Support 1* SATA, 1* M.2 (2242/2260/2280), 1* Mini PCI-E(Full size), Support 4G SIM Card
- Support wide voltage input 9~28V DC
- Support TPM2.0 (HPC150GR-HD19BT2 only)
- IP65-rated front bezel

Mechanical Dimension (Unit: mm)



*The Specification may be changed without further notice.
www.jetwayipc.com

Specifications

HPC150GR-HD1900B

Display

Front Bezel	IP65, NEMA 4 rugged protection, metal front bezel
Display Type	15.0" With LED Backlight
Brightness (cd/m ²)	350 nits
Display Color	262K
Resolution	1024 x 768 @ 60Hz
Viewing Angle (H/V)	170°/160°
Pixel Pitch	0.297 x 0.297 mm
Aspect Ratio	4:3
Contrast Ratio	700:1
Response Time	5.7 ms

Touch Screen

Type	5 wires analog resistive type
Active Range	304.10 x 228.10mm ±0.2mm
Transparency	80 ±3%
Surface Hardness	≥ 3H (ASTM D3363, pressure 750g/45°)
Operating Force	≤ 80g
Knock test	10,000,000 times keystrokes

Main System

CPU	Intel® Bay Trail-D J1900 2.0GHz/QC
RAM	4G 1333MHz DDR3L DRAM
BIOS	64MB SPI Flash ROM
Storage	1* 2.5" SATA HDD 1* M.2 (2242/2260/2280)
Speaker	2* 3W/8Ω
Watchdog Timer	255 levels, 0~255 sec.
OS Support	Windows 7 / 8.1 / 10 / Linux

Power

Power Input	100~240V AC-DC 60W 9~28V DC with over current protection fuse
Consumption	35W

Dimensions

Case Dimensions	366.0 * 290.0 * 74.0mm
-----------------	------------------------

Certifications

Certifications	CE, FCC, IP65 (Front)
----------------	-----------------------

I/O Connector

I/O Ports and Switches	2* USB3.0, 4* USB2.0, 2* RS232, 2* RS232/422/485, 1* VGA, 1* GPIO, 2* GbE, 1* Power button, 1* Lockable Jack 9~28V DC-in
------------------------	--

Environment

Temperature	Operating: -10°C ~ +60°C Storage: -20°C ~ +70°C
Shock	15G, 11ms
Vibration	5~500Hz/1Grms

Expansion

Interface	1* Mini PCIe slot for WIFI or 3G/4G
-----------	-------------------------------------

*The Specification may be changed without further notice.
www.jetwayipc.com

1. Fanless and cable-free design
2. High brightness
3. Suitable for harsh environment
4. Aluminum front panel frame, excellent back aluminum heat sink design
5. Support VESA wall mount, easy to assemble

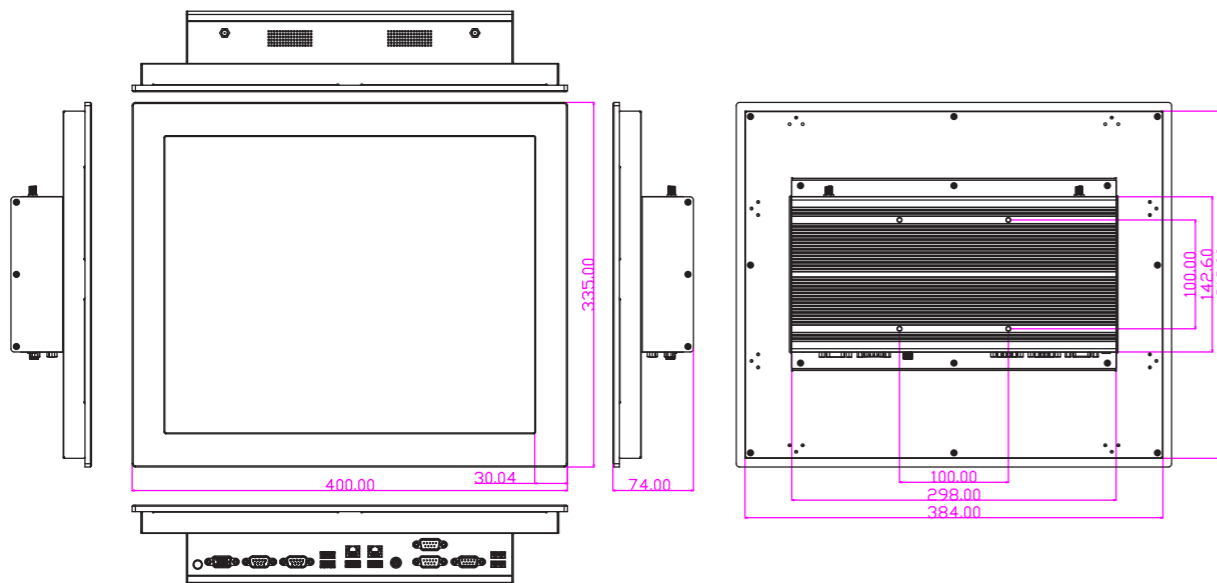
HPC170GR-HD1900B



Features

- 17.0" 350 nits high brightness TFT LCD with LED backlight
- Onboard Intel® Bay Trail-D J1900 2.0GHz Quad Cores CPU
- Onboard 4G/1333MHz DDR3L Memory
- Support 2* Intel® Gigabit LAN, 4* COM (COM1/2 Support RS232/422/485)
- Support 2* USB3.0, 4* USB2.0, 8bit GPIO
- Support 1* SATA, 1* M.2 (2242/2260/2280), 1* Mini PCI-E(Full size), Support 4G SIM Card
- Support wide voltage 9~28V DC input
- Support TPM2.0 (HPC170GR-HD19BT2 only)
- IP65-rated front bezel

Mechanical Dimension (Unit: mm)



*The Specification may be changed without further notice.
www.jetwayipc.com

Specifications

HPC170GR-HD1900B

Display

Front Bezel	IP65, NEMA 4 rugged protection, metal front bezel
Display Type	17.0" With LED Backlight
Brightness (cd/m ²)	350 nits
Display Color	16.7M
Resolution	1280 x 1024 @ 60Hz
Viewing Angle (H/V)	170°/160°
Pixel Pitch	0.264 x 0.264 mm
Aspect Ratio	4:3
Contrast Ratio	1000:1
Response Time	3.5 ms

Touch Screen

Type	5 wires analog resistive type
Active Range	337.00 x 269.50mm ±0.2mm
Transparency	80 ±3%
Surface Hardness	≥ 3H (ASTM D3363, pressure 750g/45°)
Operating Force	≤ 80g
Knock test	10,000,000 times keystrokes

Main System

CPU	Intel® Bay Trail-D J1900 2.0GHz/QC
RAM	4G 1333MHz DDR3L DRAM
BIOS	64MB SPI Flash ROM
Storage	1* 2.5" SATA HDD 1* M.2 (2242/2260/2280)
Speaker	2* 3W/8Ω
Watchdog Timer	255 levels, 0~255 sec.
OS Support	Windows 7 / 8.1 / 10 / Linux

Power

Power Input	100~240V AC-DC 60W 9~28V DC with over current protection fuse
Consumption	37.5W

Dimensions

Case Dimensions	400.0 * 335.0 * 74.0mm
-----------------	------------------------

Certifications

Certifications	CE, FCC, IP65 (Front)
----------------	-----------------------

I/O Connector

I/O Ports and Switches	2* USB3.0, 4* USB2.0, 2* RS232, 2* RS232/422/485, 1* VGA, 1* GPIO, 2* GbE, 1* Power button, 1* Lockable Jack 9~28V DC-in
------------------------	--

Environment

Temperature	Operating: -10°C ~ +60°C Storage: -20°C ~ +70°C
Shock	15G, 11ms
Vibration	5~500Hz/1Grms

Expansion

Interface	1* Mini PCIe slot for WIFI or 3G/4G
-----------	-------------------------------------

*The Specification may be changed without further notice.
www.jetwayipc.com

1. Fanless and cable-free design
2. High brightness
3. Suitable for harsh environment
4. Aluminum front panel frame, excellent back aluminum heat sink design
5. Support VESA wall mount, easy to assemble

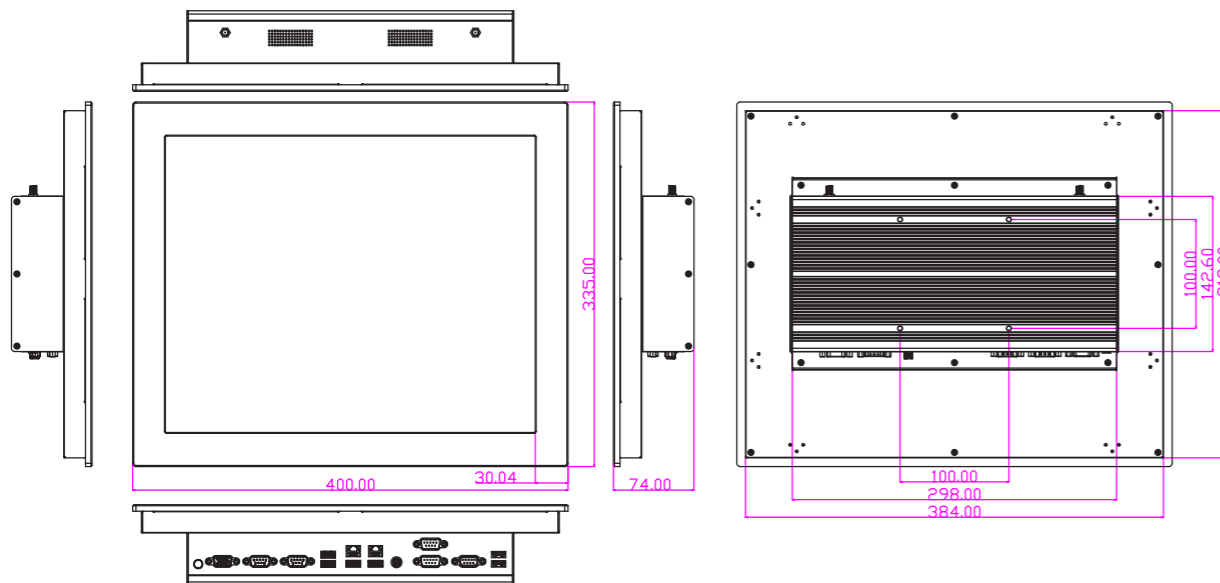
HPC170GR-HD6412



Features

- 17.0" 350 nits high brightness TFT LCD with LED backlight
- Onboard Elkhart Lake J6412 2.0GHz Quad Cores CPU
- Support SO-DIMM DDR4-3200 Memory (Max 32G)
- 2* Intel® i225-V 2.5G LAN, 4* COM (COM1/2 Support RS232/422/485), 2* USB3.2 (Gen1), 4* USB2.0, 8bit GPIO 1* HDMI2.0
- 1* SATA, 1* M.2 M key (2242/2280, SATA/NVMe), 1* M.2 B-key (3042/3052 for 4G/5G Module)
- Support wide voltage input 9~28V DC
- Support TPM2.0 (HPC170GR-HD6412T2 only)
- IP65-rated front bezel

Mechanical Dimension (Unit: mm)



*The Specification may be changed without further notice.
www.jetwayipc.com

Specifications

HPC170GR-HD1900B

Display

Front Bezel	IP65, NEMA 4 rugged protection, Full planar metal border
Display Type	17.0" With LED Backlight
Brightness (cd/m ²)	350 nits
Display Color	16.7M
Resolution	1280 x 1024 @ 60Hz
Viewing Angle (H/V)	170°/160°
Pixel Pitch	0.264 x 0.264 mm
Aspect Ratio	4:3
Contrast Ratio	1000:1
Response Time	3.5 ms

Touch Screen

Type	Projective capacitive type
Active Range	337.00 x 269.50mm ±0.2mm
Transparency	≥ 80%
Surface Hardness	≥ 3H (ASTM D3363, pressure 750g/45°)
Operating Force	/
Knock test	10,000,000 times keystrokes

Main System

CPU	Intel® Elkhart Lake J6412 2.0GHz
RAM	DDR4-3200 SO-DIMM up to 32GB
BIOS	128MB SPI Flash ROM
Storage	1* SATA, 1* M.2 M key (2242/2280, SATA/NVMe)
Speaker	2* 3W/8Ω
Watchdog Timer	255 levels, 0~255 sec.
OS Support	Windows 10 / 11 / Linux

Power

Power Input	100~240V AC-DC 60W 9~28V DC with over current protecti on fuse
Consumption	42.5W

Dimensions

Case Dimensions	400 * 335 * 74mm
-----------------	------------------

Certifications

Certifications	CE, FCC, IP65 (Front)
----------------	-----------------------

I/O Connector

I/O Ports and Switches	2* USB3.2 (Gen1), 2* USB2.0, 1* GPIO, 2* RS232/422/485, 1* HDMI, 2.5* GbE, 1* Power button, 1* Lockable Jack 9~28V DC-in
------------------------	--

Environment

Temperature	Operating: -10°C ~ +60°C Storage: -20°C ~ +70°C
Shock	15G, 11ms
Vibration	5~500Hz/1Grms

Expansion

Interface	1* M.2 B-key (3042/3052 for 4G/5G Module)
-----------	---

*The Specification may be changed without further notice.
www.jetwayipc.com

1. Fanless and cable-free design
2. High brightness
3. Suitable for harsh environment
4. Aluminum front panel frame, excellent back aluminum heat sink design
5. Support VESA wall mount, easy to assemble

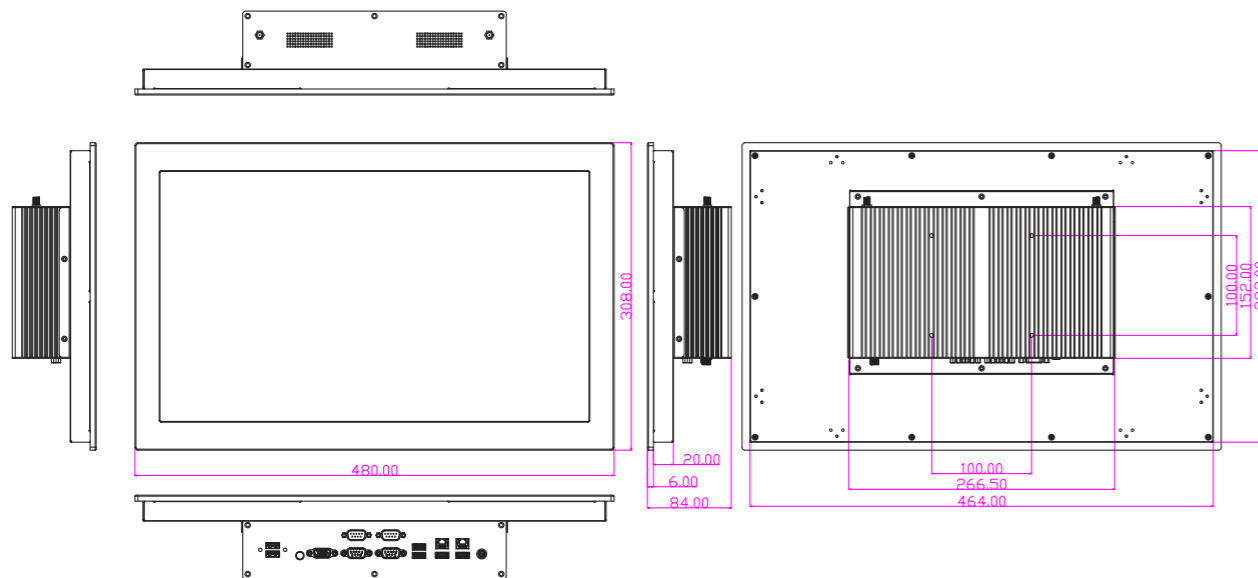
HPC-185SC-HD1900B



Features

- 18.5" 250 nits high brightness TFT LCD with LED backlight
- Onboard Intel® Bay Trail-D J1900 2.0GHz Quad Cores CPU
- Onboard 4G/1333MHz DDR3L Memory
- Support Dual Intel® Gigabit LAN
- Support 4* COM (COM1/2 Support RS232/422/485), 2* USB3.0, 4*USB2.0
- Support 1* SATA HDD, 1* M.2 connector, 1* Mini PCI-E, Support 4G SIM Card
- Support wide voltage input 9~28V
- Support TPM2.0 (HPC-185SC-HD19BT2 only)
- IP65-rated front bezel

Mechanical Dimension (Unit: mm)



*The Specification may be changed without further notice.
www.jetwayipc.com

Specifications

HPC-185SC-HD1900B

Display

Front Bezel	IP65, NEMA 4 rugged protection, metal front bezel
Display Type	18.5" With LED Backlight
Brightness (cd/m ²)	250 nits
Display Color	16.7M
Resolution	1366 x 768 @ 60Hz
Viewing Angle (H/V)	178°/178°
Pixel Pitch	0.3 x 0.3 mm
Aspect Ratio	16:9
Contrast Ratio	1000:1
Response Time	5.5 ms

Touch Screen

Type	Projective capacitive type
Active Range	440.8 x 271.4mm ±2.0mm
Transparency	≥ 85%
Surface Hardness	≥ 6H (JIS-5400)
Operating Force	/
Knock test	/

Main System

CPU	Intel® Bay Trail-D J1900 2.0GHz/QC
RAM	4G 1333MHz DDR3L DRAM
BIOS	64MB SPI Flash ROM
Storage	1* 2.5" SATA HDD 1* M.2 (2242/2260/2280)
Speaker	2* 3W/8Ω
Watchdog Timer	255 levels, 0~255 sec.
OS Support	Windows 7 / 8.1 / 10 / Linux

Power

Power Input	100~240V AC-DC 60W 9~28V DC with over current protection fuse
Consumption	25W

Dimensions

Case Dimensions	480.0 * 308.0 * 84.0mm
-----------------	------------------------

Certifications

Certifications	CE, FCC, IP65 (Front)
----------------	-----------------------

I/O Connector

I/O Ports and Switches	2* USB3.0, 4* USB2.0, 2* GbE, 1* VGA, 2* RS232 (5V/12V), 2* RS232/422/485 (5V/12V), 1* Power button, 1* 9~28V DC-in
------------------------	--

Environment

Temperature	Operating: -10°C ~ +60°C Storage: -20°C ~ +70°C
Shock	/
Vibration	/

Expansion

Interface	1* Mini PCIe slot for WIFI or 3G/4G
-----------	-------------------------------------

*The Specification may be changed without further notice.
www.jetwayipc.com

Flat-Panel Fanless Touch Panel PC Benefit & Application

Jetway Flat-Panel Fanless Panel PC provides outstanding outlook with industrial-grade quality for comprehensive industrial markets, such as retails, wholesales, hospitality, hospital or meeting room registration, logistics, self-service kiosk, residential automation and digital signage.

Jetway Flat-Panel Fanless Panel PC series are designed with 10-points capacitive type touch screen, streamlined enclosure with narrow bezel design. High brightness TFT LCD panel with LED backlight are equipped with all models. Cable-free design is easy for the HDD and memory installation. Streamlined enclosure with narrow bezel design.

Jetway Flat-Panel Fanless Panel PC series are designed with a true flat, easy-to-clean front surface with edge-to-edge design. The products come with specially designed mounting clips for easy Wall mount, Panel Mount, VESA Mount installation.

All models of this series have IP65-rated water/dust-proof front bezel. Welcome to use Jetway Flat-Panel Fanless Panel PC.

Index

• HPC070SC-FP2807A.....	16-17
• HPC080SC-FP2807A.....	18-19
• HPC080SC-FP3350.....	20-21
• HPC101SC-FP1900B.....	22-23
• HPC101SC-FP6412.....	24-25
• HPC134SC-FP1900B.....	26-27
• HPC150GR-FP6200.....	28-29
• HPC150C-DCP6305E.....	30-31
• HPC150C-DCP1135G7.....	32-33
• HPC156C-DCP1135G7.....	34-35
• HPC156C-DCP6305E.....	36-37
• HPC156SC-FP1900B.....	38-39
• HPC170C-DCP1135G7.....	40-41
• HPC170C-DCP6305E.....	42-43
• HPC215C-DCP6305E.....	44-45
• HPC215C-DCP1135G.....	46-47
• HPC215SC-FP6412.....	48-49
• HPC238SC-FP1900B.....	50-51
• HPC238SC-FPH310.....	52-53
• HPC270C-DCP6305E.....	54-55
• HPC270C-DCP1135G7.....	56-57

1. Projected capacitive type touch panel
2. Edge-to-edge narrow bezel design
3. Fanless cooling system
4. High brightness TFT LCD
5. IP65-rated front bezel

HPC070SC-FP2807A

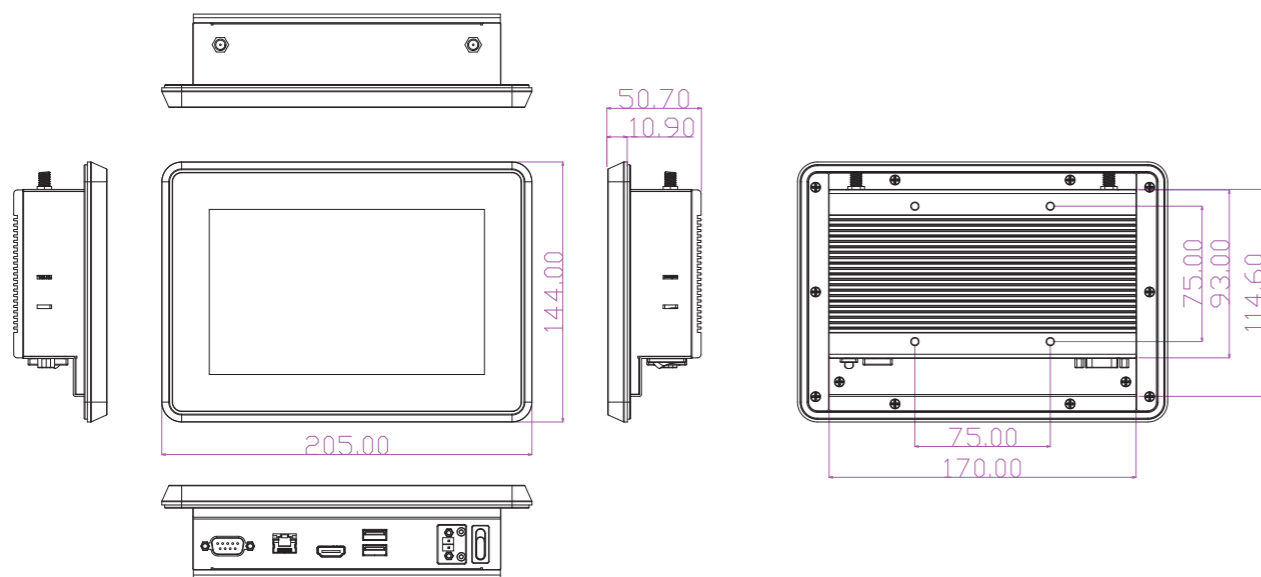


Features

- 7" 320 nits high brightness TFT LCD with LED backlight
- Onboard Intel® Bay Trail-M N2807 1.58GHz Dual Cores CPU
- Onboard 2G/1333MHz DDR3L Memory
- Support 1* Gigabit LAN, 1* COM (Support RS232/422/485)
- Support 1* USB3.0, 1* USB2.0, 1* mSATA connector
- 1* Mini PCI-E(Half size), Support 3G/4G SIM Card
- 12V DC-IN
- IP65-rated front bezel



Mechanical Dimension (Unit: mm)



*The Specification may be changed without further notice.
www.jetwayipc.com

Specifications

Display

Front Bezel	IP65, NEMA 4 rugged protection, Full planar metal border
Display Type	7" With LED Backlight
Brightness (cd/m ²)	320 nits
Display Color	16.7M
Resolution	1024 x 600 @ 60Hz
Viewing Angle (H/V)	150°/145°
Pixel Pitch	0.15 x 0.15 mm
Aspect Ratio	16:9
Contrast Ratio	500:1
Response Time	30 ms

Touch Screen

Type	Projected capacitive type
Active Range	152.40 x 91.44mm ±0.2mm
Transparency	≥ 85%
Surface Hardness	≥ 6H (JIS-5400)
Operating Force	/
Knock test	/

Main System

CPU	Intel® Bay Trail-M N2807 1.58GHz/ DC
RAM	2G 1333MHz DDR3L DRAM
BIOS	64MB SPI Flash ROM
Storage	1* mSATA connector (Full size)
Speaker	/
Watchdog Timer	255 levels, 0~255 sec.
OS Support	Windows 7 / 8.1 / 10 / Linux

Power

Power Input	100~240V AC-DC 60W 12V DC
-------------	------------------------------

Consumption	13W
-------------	-----

Dimensions

Case Dimensions	205.0 * 144.0 * 50.7mm
-----------------	------------------------

Certifications

Certifications	CE, FCC, IP65 (Front)
----------------	-----------------------

I/O Connector

I/O Ports and Switches	1* USB3.0, 1* USB2.0, 1* RS232/422/485, 1* HDMI, 1* GbE, 1* Power button, 1* Euro terminal block by 12V DC-in
------------------------	--

Environment

Temperature	Operating: -10°C ~ +60°C Storage: -20°C ~ +70°C
Shock	15G, 11ms
Vibration	5~500Hz/1Grms

Expansion

Interface	1* Mini PCIe slot for WIFI or 3G/4G
-----------	-------------------------------------

*The Specification may be changed without further notice.
www.jetwayipc.com

1. Projected capacitive type touch panel
2. Edge-to-edge narrow bezel design
3. Fanless cooling system
4. High brightness TFT LCD
5. IP65-rated front bezel

HPC080SC-FP2807A

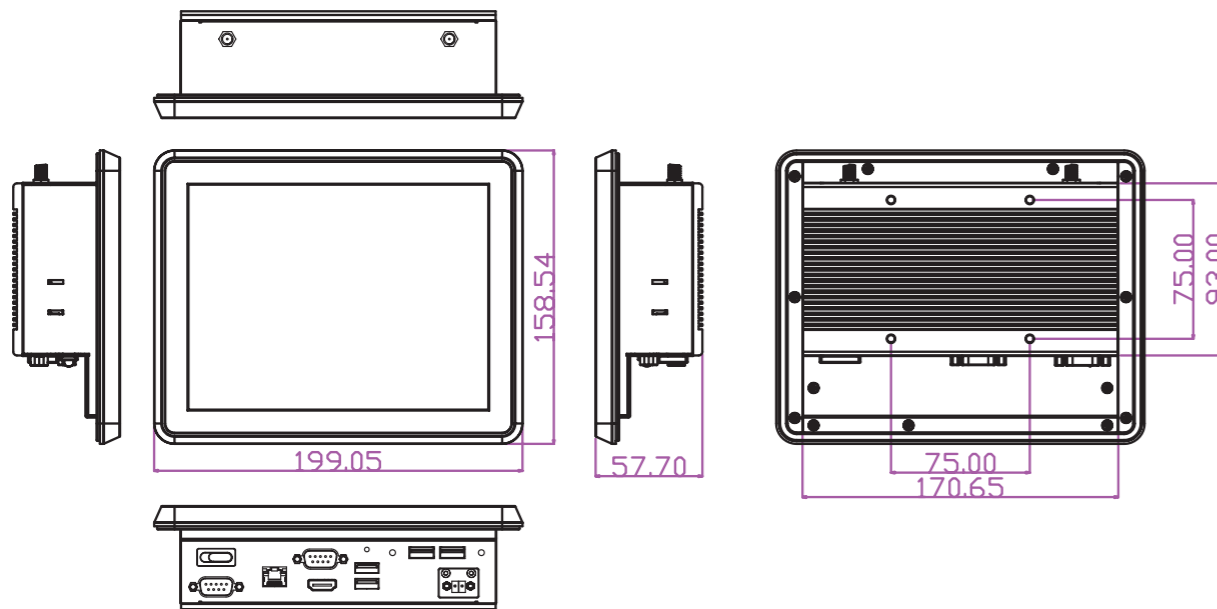


Features

- 8" 400 nits high brightness TFT LCD with LED backlight
- Onboard Intel® Bay Trail-M N2807 1.58GHz Dual Cores CPU
- Onboard 2G/1333MHz DDR3L Memory
- Support 1* Gigabit LAN, 2* COM (COM1 Support RS232/422/485)
- Support 1* USB3.0, 3* USB2.0
- Support 1* mSATA connector, 1* Mini PCI-E(Half size), Support 3G/4G SIM Card
- 12V DC-IN
- IP65-rated front bezel



Mechanical Dimension (Unit: mm)



*The Specification may be changed without further notice.
www.jetwayipc.com

Specifications

HPC080SC-FP2807A

Display

Front Bezel	IP65, NEMA 4 rugged protection, Full planar metal border
Display Type	8" With LED Backlight
Brightness (cd/m ²)	400 nits
Display Color	16.7M
Resolution	1024 x 768 @ 60Hz
Viewing Angle (H/V)	160°/160°
Pixel Pitch	0.158 x 0.158 mm
Aspect Ratio	4:3
Contrast Ratio	700:1
Response Time	30 ms

Touch Screen

Type	Projected capacitive type
Active Range	163.05 x 122.54mm ±0.2mm
Transparency	≥ 85%
Surface Hardness	≥ 6H (JIS-5400)
Operating Force	/
Knock test	/

Main System

CPU	Intel® Bay Trail-M N2807 1.58GHz/ DC
RAM	2G 1333MHz DDR3L DRAM
BIOS	64MB SPI Flash ROM
Storage	1* mSATA connector (Full size)
Speaker	/
Watchdog Timer	255 levels, 0~255 sec.
OS Support	Windows 7 / 8.1 / 10 / Linux

Power

Power Input	100~240V AC-DC 60W 12V DC
-------------	------------------------------

Consumption	13W
-------------	-----

Dimensions

Case Dimensions	199.05 * 158.54 * 57.70mm
-----------------	---------------------------

Certifications

Certifications	CE, FCC, IP65 (Front)
----------------	-----------------------

I/O Connector

I/O Ports and Switches	1* USB3.0, 3* USB2.0, 1* RS232, 1* RS232/422/485, 1* HDMI, 1* GbE, 1* Power button, 1* Euro terminal block by 12V DC-in
------------------------	--

Environment

Temperature	Operating: -10°C ~ +60°C Storage: -20°C ~ +70°C
Shock	15G, 11ms
Vibration	5~500Hz/1Grms

Expansion

Interface	1* Mini PCIe slot for WIFI or 3G/4G
-----------	-------------------------------------

*The Specification may be changed without further notice.
www.jetwayipc.com

1. Projected capacitive type touch panel
2. Edge-to-edge narrow bezel design
3. Fanless cooling system
4. High brightness TFT LCD
5. IP65-rated front bezel

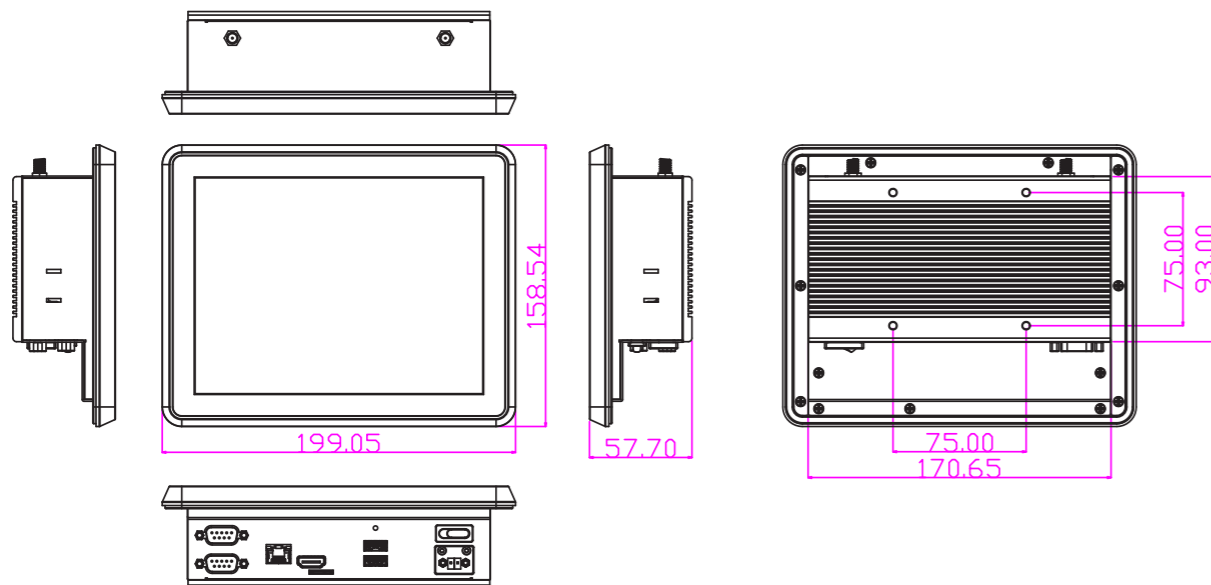
HPC080SC-FP3350



Features

- 8" 400 nits high brightness TFT LCD with LED backlight
- Onboard Intel® Apollo Lake N3350 1.1GHz Dual Cores CPU
- 1* DDR3L SO-DIMM up to 8GB
- Support 1* Gigabit LAN, 2* COM (1* RS232/422/485)
- Support 2* USB3.0, 1* M.2 Socket (2242 size)
- 1* Mini PCI-E, Support 3G/4G SIM Card
- 12V DC-IN
- IP65-rated front bezel

Mechanical Dimension (Unit: mm)



*The Specification may be changed without further notice.
www.jetwayipc.com

Specifications

Display

Front Bezel	IP65, NEMA 4 rugged protection, Full planar metal border
Display Type	8" With LED Backlight
Brightness (cd/m ²)	400 nits
Display Color	16.7M
Resolution	1024 x 768 @ 60Hz
Viewing Angle (H/V)	160°/160°
Pixel Pitch	0.158 x 0.158 mm
Aspect Ratio	4:3
Contrast Ratio	700:1
Response Time	30 ms

Touch Screen

Type	Projective capacitive type
Active Range	163.05 x 122.54mm ±0.2mm
Transparency	≥ 85%
Surface Hardness	≥ 6H (JIS-5400)
Operating Force	/
Knock test	/

Main System

CPU	Intel® Apollo Lake N3350 1.1GHz/ DC
RAM	DDR3L SO-DIMM up to 8GB
BIOS	128MB SPI Flash ROM
Storage	1* M.2 (2242)
Speaker	/
Watchdog Timer	256 levels, 0~255 sec.
OS Support	Windows 10 / Linux

Power

Power Input	100~240V AC-DC 60W 12V DC
-------------	------------------------------

Consumption	13W
-------------	-----

Dimensions

Case Dimensions	199.05 * 158.54 * 57.70mm
-----------------	---------------------------

Certifications

Certifications	CE, FCC, IP65 (Front)
----------------	-----------------------

I/O Connector

I/O Ports and Switches	2* USB3.0, 1* RS232/422/485, 1* RS232, 1* HDMI, 1* GbE, 1* SIM card slot, 1* Power button, 1* Locking Jack 12V DC-in
------------------------	--

Environment

Temperature	Operating: -10°C ~ +60°C Storage: -20°C ~ +70°C
Shock	15G, 11ms
Vibration	5~500Hz/1Grms

Expansion

Interface	1* Mini PCIe slot for WIFI or 3G/4G
-----------	-------------------------------------

*The Specification may be changed without further notice.
www.jetwayipc.com

1. Projected capacitive type touch panel
2. Edge-to-edge narrow bezel design
3. Fanless cooling system
4. High brightness TFT LCD
5. IP65-rated front bezel

HPC101SC-FP1900B

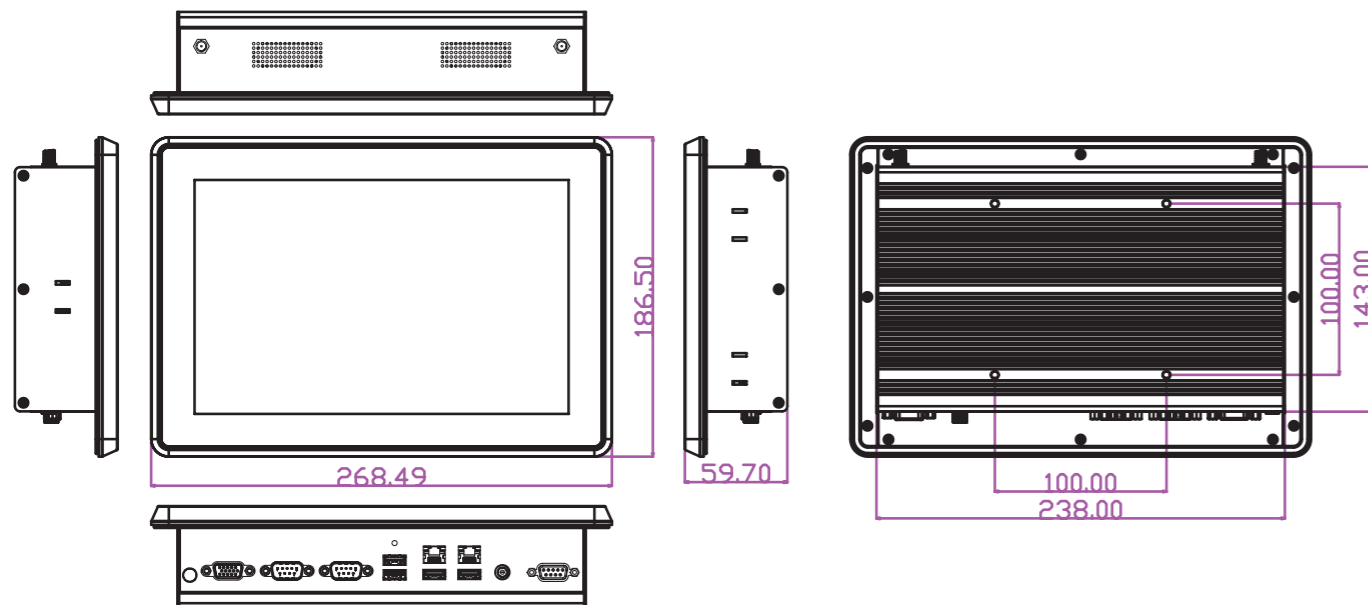


Features

- 10.1" 400 nits high brightness TFT LCD with LED backlight
- Onboard Intel® Bay Trail- D J1900 2.0GHz Quad Cores CPU
- Onboard 4G/1333MHz DDR3L Memory
- 2* Intel® Gigabit LAN, 2* COM (COM1/2 Support RS232/422/485), 2* USB3.0, 2* USB2.0, 8bit GPIO
- 1* SATA, 1* M.2 connector(2242/2260/2280), 1* Mini PCI-E(Full size), Support 3G/4G SIM Card
- Support wide voltage input 9~28V DC
- Support TPM2.0 (HPC101SC-FP19BT2 only)
- IP65-rated front bezel



Mechanical Dimension (Unit: mm)



*The Specification may be changed without further notice.
www.jetwayipc.com

Display

Front Bezel	IP65, NEMA 4 rugged protection, Full planar metal border
Display Type	10.1" With LED Backlight
Brightness (cd/m ²)	400 nits
Display Color	16.2M
Resolution	1280 x 800 @ 60Hz
Viewing Angle (H/V)	170°/170°
Pixel Pitch	0.1695 x 0.1695 mm
Aspect Ratio	16:10
Contrast Ratio	800:1
Response Time	30 ms

Touch Screen

Type	Projected capacitive type
Active Range	257.10 x 159.66mm ±0.2mm
Transparency	≥ 85%
Surface Hardness	≥ 6H (JIS-5400)
Operating Force	/
Knock test	/

Main System

CPU	Intel® Bay Trail-D J1900 2.0GHz/ QC
RAM	4G 1333MHz DDR3L DRAM
BIOS	64MB SPI Flash ROM
Storage	1* SATA 1* M.2 (2242/2260/2280)
Speaker	2* 3W/8Ω
Watchdog Timer	255 levels, 0~255 sec.
OS Support	Windows 7 / 8.1 / 10 / Linux

Power

Power Input	100~240V AC-DC 60W 9~28V DC with over current protection fuse
Consumption	21W

Dimensions

Case Dimensions	268.49 * 186.50 * 59.70mm
-----------------	---------------------------

Certifications

Certifications	CE, FCC, IP65 (Front)
----------------	-----------------------

I/O Connector

I/O Ports and Switches	2* USB3.0, 2* USB2.0, 1* GPIO, 2* RS232/422/485, 1* VGA, 2* GbE, 1* Power button, 1* Lockable Jack 9~28V DC-in
------------------------	---

Environment

Temperature	Operating: -10°C ~ +60°C Storage: -20°C ~ +70°C
Shock	15G, 11ms
Vibration	5~500Hz/1Grms

Expansion

Interface	1* Mini PCIe slot for WIFI or 3G/4G
-----------	-------------------------------------

*The Specification may be changed without further notice.
www.jetwayipc.com

1. Projected capacitive type touch panel
2. Edge-to-edge narrow bezel design
3. Fanless cooling system
4. High brightness TFT LCD
5. IP65-rated front bezel

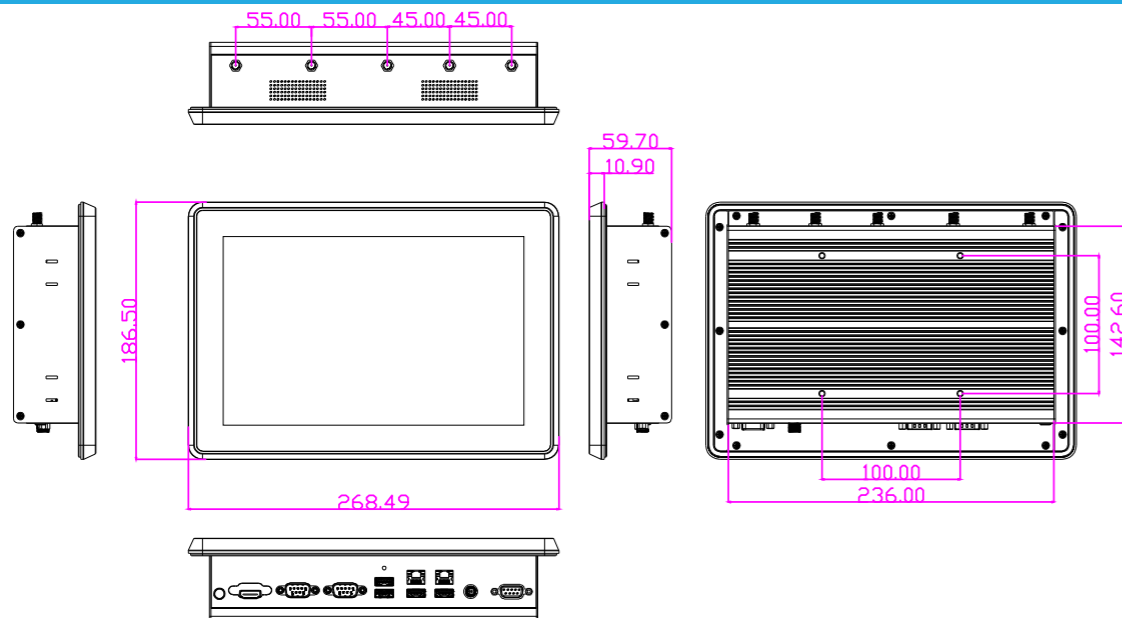
HPC101SC-FP6412



Features

- 10.1" 400 nits high brightness TFT LCD with LED backlight
- Onboard Elkhart Lake J6412 2.0GHz Quad Cores CPU
- Support SO-DIMM DDR4-3200 Memory(Max 32G)
- 2* Intel® i225-V 2.5G LAN, 2* COM (COM1/2 Support RS232/422/485), 2* USB3.2 (Gen1), 2* USB2.0, 8bit GPIO, 1* HDMI2.0
- 1* SATA, 1* M.2 M key (2242/2280, SATA/NVMe), 1* M.2 B-key (3042/3052 for 4G/5G Module)
- Support wide voltage input 9~28V DC
- Support TPM2.0 (HPC101SC-FP6412T2 only)
- IP65-rated front bezel

Mechanical Dimension (Unit: mm)



*The Specification may be changed without further notice.
www.jetwayipc.com

Specifications

Display

Front Bezel	IP65, NEMA 4 rugged protection, Full planar metal border
Display Type	10.1" With LED Backlight
Brightness (cd/m ²)	400 nits
Display Color	16.2M
Resolution	1280 x 800 @ 60Hz
Viewing Angle (H/V)	170°/170°
Pixel Pitch	0.1695 x 0.1695 mm
Aspect Ratio	16:10
Contrast Ratio	800:1
Response Time	30 ms

Touch Screen

Type	Projective capacitive type
Active Range	257.10 x 159.66mm ±0.2mm
Transparency	≥ 85%
Surface Hardness	≥ 6H (JIS-5400)
Operating Force	/
Knock test	/

Main System

CPU	Intel® Elkhart Lake J6412 2.0GHz
RAM	DDR4-3200 SO-DIMM up to 32GB
BIOS	128MB SPI Flash ROM
Storage	1* SATA, 1* M.2 M key (2242/2280, SATA/NVMe)
Speaker	2* 3W/8Ω
Watchdog Timer	255 levels, 0~255 sec.
OS Support	Windows 10 / 11 / Linux

Power

Power Input	100~240V AC-DC 60W 9~28V DC with over current protecti on fuse
Consumption	25.5W

Dimensions

Case Dimensions	280.03 * 225.42 * 83.80mm
-----------------	---------------------------

Certifications

Certifications	CE, FCC, IP65 (Front)
----------------	-----------------------

I/O Connector

I/O Ports and Switches	2* USB3.2 (Gen1), 2* USB2.0, 1* GPIO, 2* RS232/422/485, 1* HDMI, 2.5* GbE, 1* Power button, 1* Lockable Jack 9~28V DC-in
------------------------	--

Environment

Temperature	Operating: -10°C ~ +60°C Storage: -20°C ~ +70°C
Shock	15G, 11ms
Vibration	5~500Hz/1Grms

Expansion

Interface	1* M.2 B-key (3042/3052 for 4G/5G Module)
-----------	---

*The Specification may be changed without further notice.
www.jetwayipc.com

1. Projected capacitive type touch panel
2. Edge-to-edge narrow bezel design
3. Fanless cooling system
4. High brightness TFT LCD
5. IP65-rated front bezel

HPC134SC-FP1900B

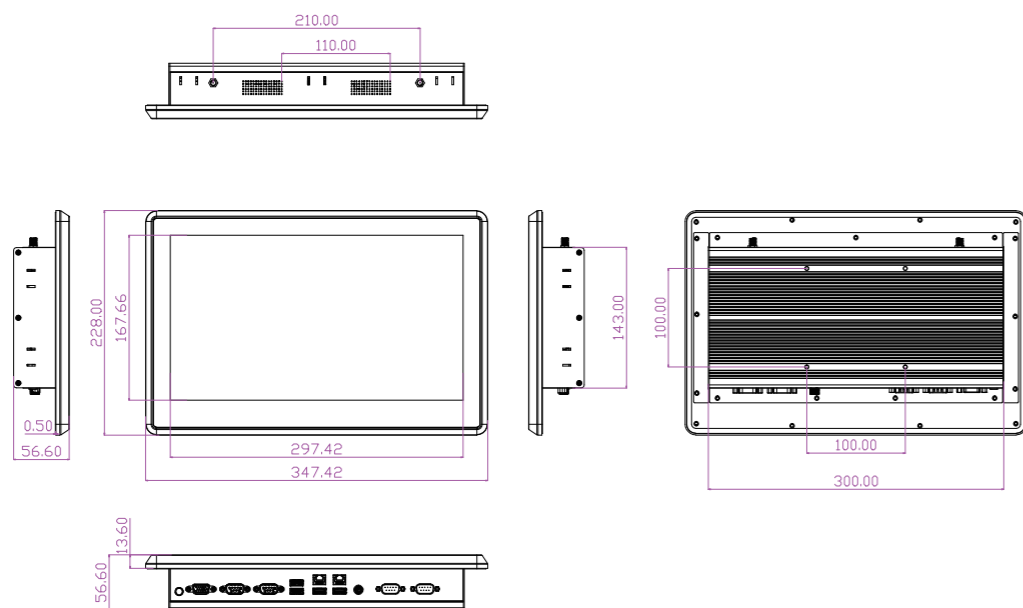


Features

- 13.4" 220 nits high brightness TFT LCD with LED backlight
- Onboard Intel® Bay Trail- D J1900 2.0GHz Quad Cores CPU
- Onboard 4G/1333MHz DDR3L Memory
- 2* Intel® Gigabit LAN, 4* COM (COM1/2 Support RS232/422/485), 2* USB3.0, 2* USB2.0, 8bit GPIO
- 1* SATA, 1* M.2 connector(2242/2260/2280), 1* Mini PCI-E(Full size), Support 3G/4G SIM Card
- Support wide voltage input 9~28V DC
- Support TPM2.0 (HPC134SC-FP19BT2 only)
- IP65-rated front bezel



Mechanical Dimension (Unit: mm)



*The Specification may be changed without further notice.
www.jetwayipc.com

Display

Front Bezel	IP65, NEMA 4 rugged protection, Full planar metal border
Display Type	13.4" With LED Backlight
Brightness (cd/m ²)	220 nits
Display Color	262K
Resolution	1366 x 768 @ 60Hz
Viewing Angle (H/V)	90°/65°
Pixel Pitch	0.17925 x 0.17925 mm
Aspect Ratio	16:9
Contrast Ratio	500:1
Response Time	11 ms

Touch Screen

Type	Projective capacitive type
Active Range	340.00 x 200.00mm ±0.3mm
Transparency	≥ 85%
Surface Hardness	≥ 6H (JIS-5400)
Operating Force	/
Knock test	/

Main System

CPU	Intel® Bay Trail-D J1900 2.0GHz
RAM	4G 1333MHz DDR3L DRAM
BIOS	64MB SPI Flash ROM
Storage	1* SATA 1* M.2 (2242/2260/2280)
Speaker	2* 3W/8Ω
Watchdog Timer	255 levels, 0~255 sec.
OS Support	Windows 7 / 8.1 / 10 / Linux

Power

Power Input	100~240V AC-DC 60W 9~28V DC with over current protecti on fuse
Consumption	20W

Dimensions

Case Dimensions	347.42 * 228.00 * 56.60mm
-----------------	---------------------------

Certifications

Certifications	CE, FCC, IP65 (Front)
----------------	-----------------------

I/O Connector

I/O Ports and Switches	2* USB3.0, 2* USB2.0, 1* GPIO 2* RS232/422/485, 1* VGA 2* GbE, 1* Power button 1* Lockable Jack 9~28V DC-in
------------------------	--

Environment

Temperature	Operating: -10°C ~ +60°C Storage: -20°C ~ +70°C
Shock	15G, 11ms
Vibration	5~500Hz/1Grms

Expansion

Interface	1* Mini PCIe slot for WIFI or 3G/4G
-----------	-------------------------------------

*The Specification may be changed without further notice.
www.jetwayipc.com

1. 5 wires analog resistive type touch panel
2. Easy for HDD installation
3. Fanless cooling system
4. IP65-rated front bezel

HPC150GR-FP6200

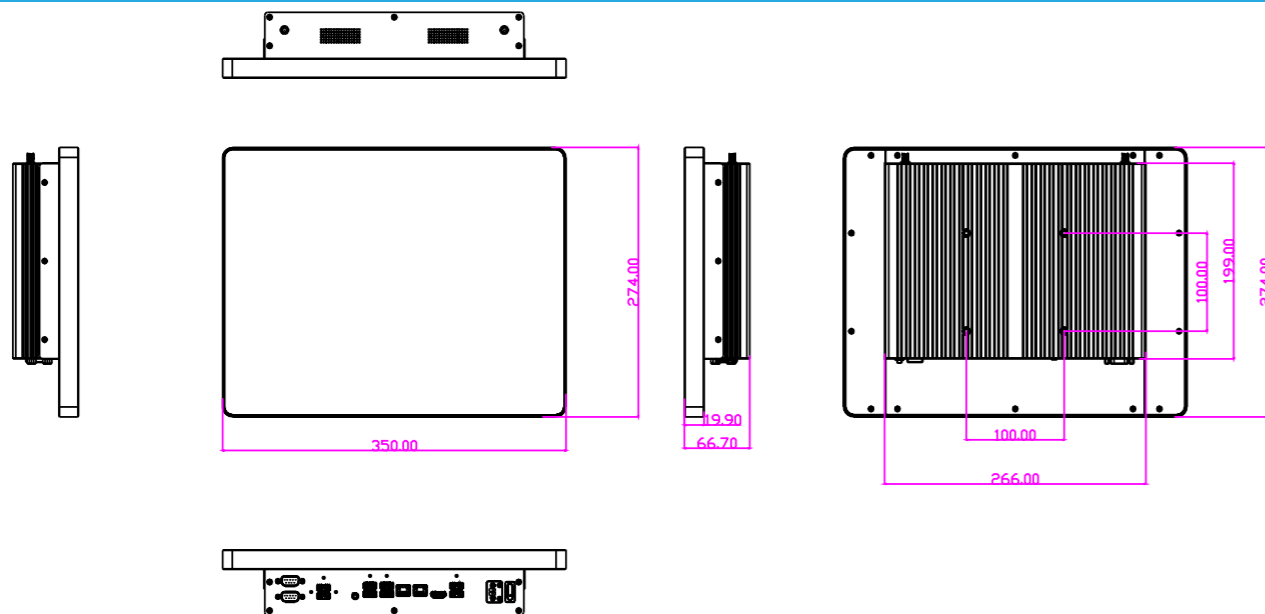


Features

- 15.0" 450 nits high brightness SVGA TFT LCD with LED backlight
- Onboard Intel® Sky Lake i5-6200U 2.3GHz Dual Cores CPU
- 2* Dual Channel DDR4 2133MHz up to 32GB
- 2* Intel® GbE, 2* COM (COM1 supports RS232/422/485), 4* USB3.0, 4* USB2.0
- 1* SATA, 1* mSATA connector (Full size), 1* Mini PCI-E (Half size)
- Support wide voltage input 9~24V DC
- Support 4G SIM Card
- IP65-rated front bezel



Mechanical Dimension (Unit: mm)



*The Specification may be changed without further notice.
www.jetwayipc.com

Specifications

HPC150GR-FP6200

Display

Front Bezel	IP65, NEMA 4 rugged protection, metal front bezel
Display Type	15.0" With LED Backlight
Brightness (cd/m ²)	450 nits
Display Color	262K
Resolution	1024 x 768 @ 60Hz
Viewing Angle (H/V)	160°/160°
Pixel Pitch	0.297 x 0.297 mm
Aspect Ratio	4:3
Contrast Ratio	800:1
Response Time	12 ms

Touch Screen

Type	5 wires analog resistive type
Active Range	306.60 x 230.60mm ±0.2mm
Transparency	80 ±3%
Surface Hardness	≥ 3H (ASTM D3363, pressure 750g/45°)
Operating Force	≤ 80g
Knock test	10,000,000 times keystrokes

Main System

CPU	Intel® Sky Lake i5-6200U 2.3GHz/ DC
RAM	DDR4 2133MHz Max 32GB
BIOS	128MB SPI Flash ROM
Storage	1*2.5" SATA HDD 1 * M-SATA connector
Speaker	/
Watchdog Timer	255 levels, 0~255 sec.
OS Support	Windows 7 / 8.1 / 10 / Linux

Power

Power Input	100~240V AC-DC 60W 9~24V DC
-------------	--------------------------------

Consumption	40W
-------------	-----

Dimensions

Case Dimensions	350.0 x 274.0 x 66.7mm
-----------------	------------------------

Certifications

Certifications	CE, FCC, IP65 (Front)
----------------	-----------------------

I/O Connector

I/O Ports and Switches	4* USB3.0, 4* USB2.0, 1* RS232 1* RS232/422/485, 1* HDMI, 1* Line-out, 2* GbE, 1* Power button, 1* Lockable Jack 9~24V DC- in
------------------------	---

Environment

Temperature	Operating: -10°C ~ +60°C Storage: -20°C ~ +70°C
Shock	15G, 11ms
Vibration	5~500Hz/1Grms

Expansion

Interface	1* PCI-E mini card for WIFI or 3G/4G
-----------	--------------------------------------

*The Specification may be changed without further notice.
www.jetwayipc.com

1. Projected capacitive type touch panel
2. Fanless cooling system
3. IP65-rated front bezel
4. Easy to install HDD and DARM
5. Wireless material design

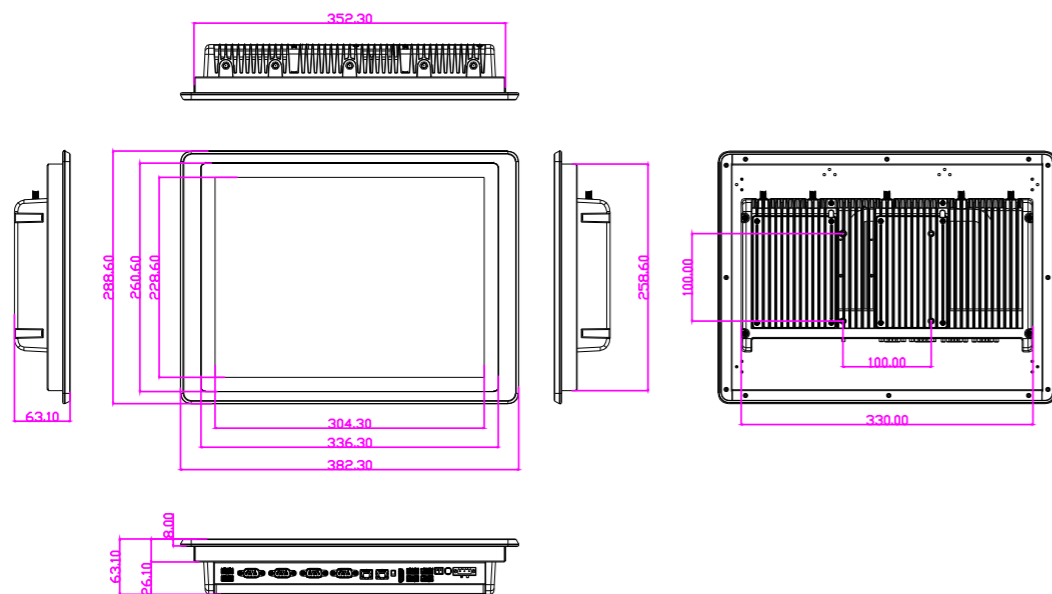
HPC150C-DCP6305E



Features

- 15.0" 350 nits TFT LCD with LED backlight
- Onboard Intel® Tiger Lake 6305E 1.8GHz Dual-core CPU
- DDR4 SO-DIMM up to 64GB
- 2* USB3.2 (Gen1), 4* USB2.0, 2* RS232/422/485, 2* RS232 (option 16bit GPIO), 1* HDMI, 1* AT/ATX Mode Button
- 1* Intel® I225-V 2.5GbE, 1* Intel® I219LM GbE, 1* 12~36V DC-in Locking Jack
- 1* 2.5" SATA HDD, 1* M.2 M key (2242/2280, PCI-Ex4), 1* M.2 E key (2230) for WIFI, 1* M.2 B key (3042/3052/6570) for 4G/5G Module (4pcs Built in Antenna)
- IP65-rated front bezel

Mechanical Dimension (Unit: mm)



*The Specification may be changed without further notice.
www.jetwayipc.com

Specifications

Display

Front Bezel	IP65, NEMA 4 rugged protection, Full planar metal border
Display Type	15.0" With LED Backlight
Brightness (cd/m ²)	350 nits
Display Color	16.7M
Resolution	1024*768 @ 60Hz
Viewing Angle (H/V)	178°/178°
Pixel Pitch	0.099 x 0.297mm
Aspect Ratio	4:3
Contrast Ratio	1000:1
Response Time	35 ms

Touch Screen

Type	Projected capacitive type
Active Range	336.3 x 260.6mm ±0.3mm
Transparency	≥ 85%
Surface Hardness	≥ 6H (JIS-5400)
Operating Force	/
Knock test	/

Main System

CPU	Intel® Tiger Lake 6305E 1.8GHz
RAM	DDR4 SO-DIMM (Max 64GB)
BIOS	256MB SPI Flash ROM
Storage	1* 2.5" SATA HDD 1* M.2 M key (2242/2280, PCI-Ex4)
Speaker	/
Watchdog Timer	256 levels, 0~255 sec
OS Support	Windows 10 /11, Linux

Power

Power Input	100~240V AC-DC 90W 12~36V DC with over current protection fuse
Consumption	45W

Dimensions

Case Dimensions	382.3 * 288.6 * 63.1mm
-----------------	------------------------

Certifications

Certifications	CE, FCC, IP65 (Front)
----------------	-----------------------

I/O Connector

I/O Ports and Switches	2* USB3.2 (Gen. 1), 4* USB2.0 2* RS232/422/485, 2* RS232 (option 16bit GPIO), 1* HDMI, 1* AT/ATX Mode Button, 1* Intel® I225-V 2.5GbE, 1* Intel® I219LM GbE
------------------------	--

Environment

Temperature	Operating: -10°C ~ +50°C Storage: -20°C ~ +70°C
Shock	15G, 11ms
Vibration	5~500Hz/1Grms

Expansion

Interface	1* M.2 E key (2230), 1* M.2 B key (3042/3052/6570)
-----------	--

*The Specification may be changed without further notice.
www.jetwayipc.com

1. Projected capacitive type touch panel
2. Fanless cooling system
3. IP65-rated front bezel
4. Easy to install HDD and DARM
5. Wireless material design

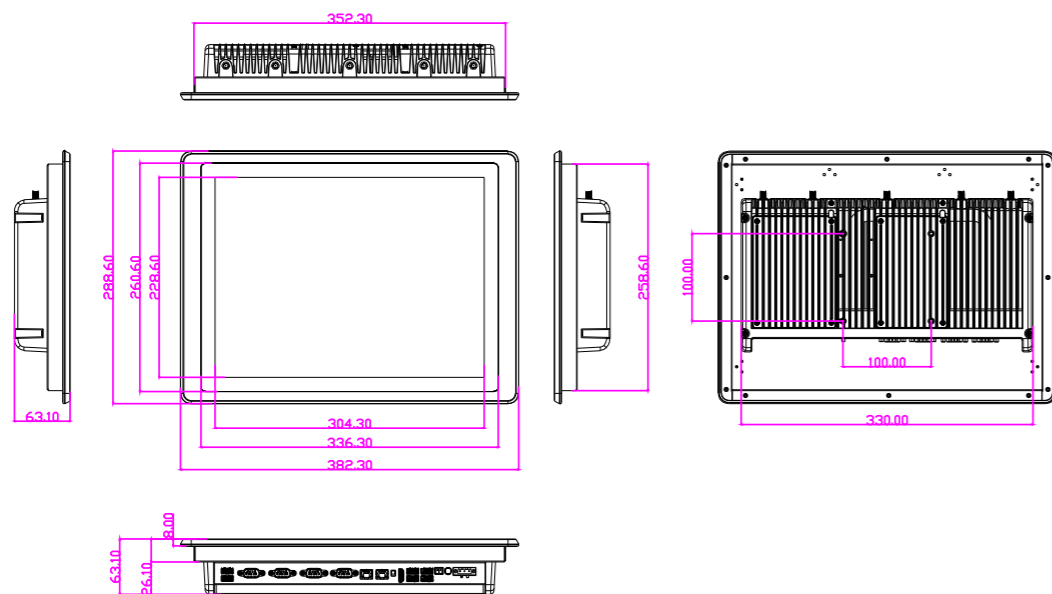
HPC150C-DCP1135G7



Features

- 15.0" 350 nits TFT LCD with LED backlight
- Onboard Intel® Tiger Lake i5-1135G7 2.4GHz Quad Cores CPU
- DDR4 SO-DIMM (Max 64GB)
- 2* USB3.2 (Gen1), 4* USB2.0, 2* RS232/422/485, 2* RS232 (option 16bit GPIO), 1* HDMI, 1* AT/ATX Mode Button, 1* Intel® I225-V 2.5GbE, 1* Intel® I219LM GbE, 1* 12~36V DC-in Locking Jack, 1* Power button 1* 2pin Front Power button
- 1* 2.5" SATA HDD, 1* M.2 M key (2242/2280, PCI-Ex4), 1* M.2 E key (2230) for WIFI, 1* M.2 B key (3042/3052/6570) for 4G/5G Module (4pcs Built in Antenna)
- IP65-rated front bezel

Mechanical Dimension (Unit: mm)



*The Specification may be changed without further notice.
www.jetwayipc.com

Display

Front Bezel	IP65, NEMA 4 rugged protection, Full planar metal border
Display Type	15.0" With LED Backlight
Brightness (cd/m ²)	350 nits
Display Color	16.7M
Resolution	1024*768 @ 60Hz
Viewing Angle (H/V)	178°/178°
Pixel Pitch	0.099 x 0.297mm
Aspect Ratio	4:3
Contrast Ratio	1000:1
Response Time	35 ms

Touch Screen

Type	Projected capacitive type
Active Range	336.3 x 260.6mm ±0.3mm
Transparency	≥ 85%
Surface Hardness	≥ 6H (JIS-5400)
Operating Force	/
Knock test	/

Main System

CPU	Intel® Tiger Lake i5-1135G7 2.4GHz
RAM	DDR4 SO-DIMM (Max 64GB)
BIOS	256MB SPI Flash ROM
Storage	1* 2.5" SATA HDD 1* M.2 M key (2242/2280, PCI-Ex4)
Speaker	/
Watchdog Timer	256 levels, 0~255 sec
OS Support	Windows 10 /11, Linux

Power

Power Input	100~240V AC-DC 90W 12~36V DC with over current protection fuse
Consumption	45W

Dimensions

Case Dimensions	382.3 * 288.6 * 63.1mm
-----------------	------------------------

Certifications

Certifications	CE, FCC, IP65 (Front)
----------------	-----------------------

I/O Connector

I/O Ports and Switches	2* USB3.2 (Gen. 1), 4* USB2.0 2* RS232/422/485, 2* RS232 (option 16bit GPIO), 1* HDMI, 1* AT/ATX Mode Button, 1* Intel® I225-V 2.5GbE, 1* Intel® I219LM GbE
------------------------	--

Environment

Temperature	Operating: -10°C ~ +50°C Storage: -20°C ~ +70°C
Shock	15G, 11ms
Vibration	5~500Hz/1Grms

Expansion

Interface	1* M.2 E key (2230), 1* M.2 B key (3042/3052/6570)
-----------	--

*The Specification may be changed without further notice.
www.jetwayipc.com

1. Projected capacitive type touch panel
2. Fanless cooling system
3. IP65-rated front bezel
4. Easy to install HDD and DARM
5. Wireless material design

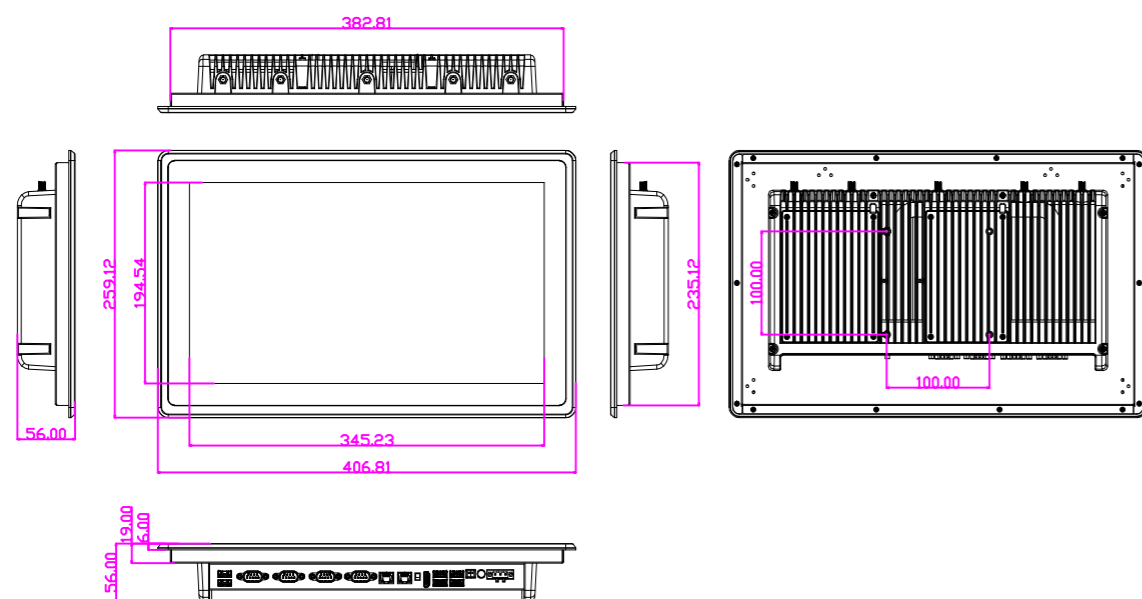
HPC156C-DCP1135G7



Features

- 15.6" 250 nits TFT LCD with LED backlight
- Onboard Intel® Tiger Lake i5-1135G7 2.4GHz Quad Cores CPU
- DDR4 SO-DIMM (Max 64GB)
- 2* USB3.2 (Gen1), 4* USB2.0, 2* RS232/422/485, 2* RS232 (option 16bit GPIO), 1* HDMI, 1* AT/ATX Mode Button, 1* Intel® I225-V 2.5GbE, 1* Intel® I219LM GbE, 1* 12~36V DC-in Locking Jack, 1* Power button, 1* 2pin Front Power button
- 1* 2.5" SATA HDD, 1* M.2 M key (2242/2280, PCI-Ex4), 1* M.2 E key (2230) for WIFI, 1* M.2 B key (3042/3052/6570) for 4G/5G Module (4pcs Built in Antenna)
- IP65-rated front bezel

Mechanical Dimension (Unit: mm)



*The Specification may be changed without further notice.
www.jetwayipc.com

Display

Front Bezel	IP65, NEMA 4 rugged protection, Full planar metal border
Display Type	15.6" With LED Backlight
Brightness (cd/m ²)	250 nits
Display Color	262K
Resolution	1920*1080 @ 60Hz
Viewing Angle (H/V)	170°/170°
Pixel Pitch	0.17295 x 0.17295mm
Aspect Ratio	16:9
Contrast Ratio	800:1
Response Time	35 ms

Touch Screen

Type	Projected capacitive type
Active Range	386.81 x 237.12mm ±0.3mm
Transparency	≥ 85%
Surface Hardness	≥ 6H (JIS-5400)
Operating Force	/
Knock test	/

Main System

CPU	Intel® Tiger Lake i5-1135G7 2.4GHz
RAM	DDR4 SO-DIMM (Max 64GB)
BIOS	256MB SPI Flash ROM
Storage	1* 2.5" SATA HDD 1* M.2 M key (2242/2280, PCI-Ex4)
Speaker	/
Watchdog Timer	256 levels, 0~255 sec
OS Support	Windows 10/11, Linux

Power

Power Input	100~240V AC-DC 90W 12~36V DC with over current protection fuse
Consumption	42W

Dimensions

Case Dimensions	406.81 * 259.12 * 56.00mm
-----------------	---------------------------

Certifications

Certifications	CE, FCC, IP65 (Front)
----------------	-----------------------

I/O Connector

I/O Ports and Switches	2* USB3.2 (Gen. 1), 4* USB2.0, 2* RS232/422/485, 2* RS232 (option 16bit GPIO), 1* HDMI, 1* AT/ATX Mode Button, 1* Intel® I225-V 2.5GbE, 1* Intel® I219LM GbE
------------------------	--

Environment

Temperature	Operating: -10°C ~ +50°C Storage: -20°C ~ +70°C
Shock	15G, 11ms
Vibration	5~500Hz/1Grms

Expansion

Interface	1* M.2 E key (2230), 1* M.2 B key (3042/3052/6570)
-----------	--

*The Specification may be changed without further notice.
www.jetwayipc.com

1. Projected capacitive type touch panel
2. Fanless cooling system
3. IP65-rated front bezel
4. Easy to install HDD and DARM
5. Wireless material design

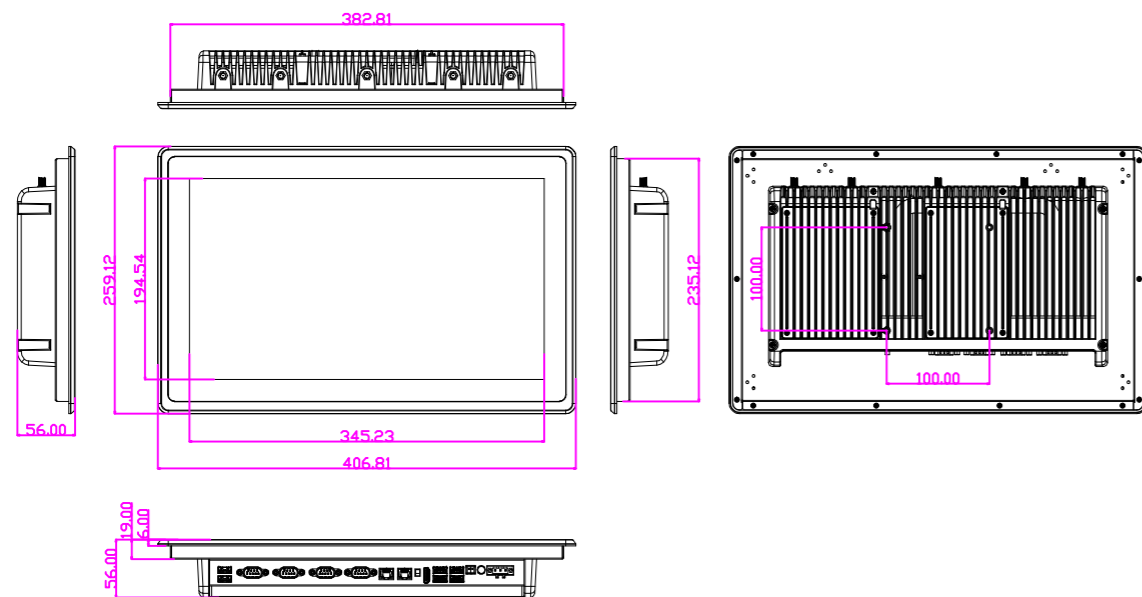
HPC156C-DCP6305E



Features

- 15.6" 250 nits TFT LCD with LED backlight
- Onboard Intel® Tiger Lake 6305E 1.8GHz Dual-core CPU
- DDR4 SO-DIMM (Max 64GB)
- 2* USB3.2 (Gen1), 4* USB2.0, 2* RS232/422/485, 2* RS232 (option 16bit GPIO), 1* HDMI, 1* Intel® I225-V 2.5GbE, 1* Intel® I219LM GbE
- 1* 2.5" SATA HDD, 1* M.2 M key (2242/2280, PCI-Ex4), 1* M.2 E key (2230) for WIFI, 1* M.2 B key (3042/3052/6570) for 4G/5G Module (4pcs Built in Antenna)
- IP65-rated front bezel

Mechanical Dimension (Unit: mm)



*The Specification may be changed without further notice.
www.jetwayipc.com

Specifications

HPC156C-DCP6305E

Display

Front Bezel	IP65, NEMA 4 rugged protection, Full planar metal border
Display Type	15.6" With LED Backlight
Brightness (cd/m ²)	250 nits
Display Color	262K
Resolution	1920*1080 @ 60Hz
Viewing Angle (H/V)	170°/170°
Pixel Pitch	0.17295 x 0.17295mm
Aspect Ratio	16:9
Contrast Ratio	800:1
Response Time	35 ms

Touch Screen

Type	Projected capacitive type
Active Range	386.81 x 237.12mm ±0.3mm
Transparency	≥ 85%
Surface Hardness	≥ 6H (JIS-5400)
Operating Force	/
Knock test	/

Main System

CPU	Intel® Tiger Lake 6305E 1.8GHz
RAM	DDR4 SO-DIMM (Max 64GB)
BIOS	256MB SPI Flash ROM
Storage	1* 2.5" SATA HDD 1* M.2 M key (2242/2280, PCI-Ex4)
Speaker	/
Watchdog Timer	256 levels, 0~255 sec
OS Support	Windows 10/11, Linux

Power

Power Input	100~240V AC-DC 90W 12~36V DC with over current protection fuse
Consumption	42W

Dimensions

Case Dimensions	406.81 x 259.12 x 56.00mm
-----------------	---------------------------

Certifications

Certifications	CE, FCC, IP65 (Front)
----------------	-----------------------

I/O Connector

I/O Ports and Switches	2* USB3.2 (Gen. 1), 4* USB2.0, 2* RS232/422/485, 2* RS232 (option 16bit GPIO), 1* HDMI, 1* AT/ATX Mode Button, 1* Intel® I225-V 2.5GbE, 1* Intel® I219LM GbE
------------------------	--

Environment

Temperature	Operating: -10°C ~ +50°C Storage: -20°C ~ +70°C
Shock	15G, 11ms
Vibration	5~500Hz/1Grms

Expansion

Interface	1* M.2 E key (2230), 1* M.2 B key (3042/3052/6570)
-----------	--

*The Specification may be changed without further notice.
www.jetwayipc.com

1. Projected capacitive type touch panel
2. Edge-to-edge narrow bezel design
3. Fanless cooling system
4. High brightness TFT LCD
5. IP65-rated front bezel

HPC156SC-FP1900B

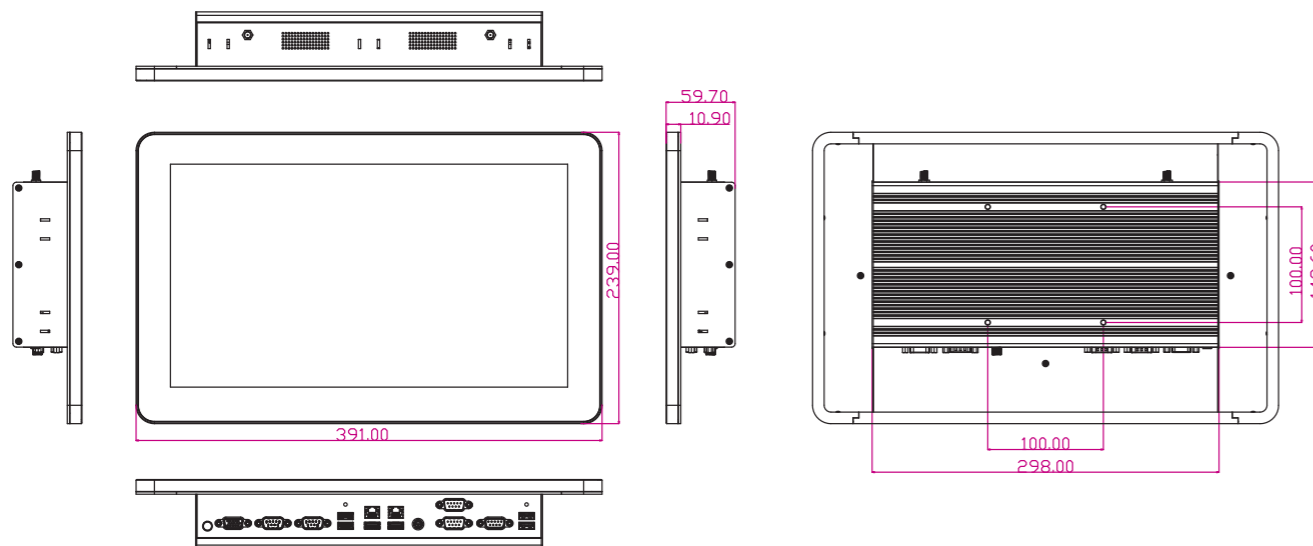


Features

- 15.6" 250 nits high brightness TFT LCD with LED backlight
- Onboard Intel® Bay Trail- D J1900 2.0GHz Quad Cores CPU
- Onboard 4G/1333MHz DDR3L Memory
- 2* Intel® Gigabit LAN, 4* COM (COM1/2 Support RS232/422/485), 2* USB3.0, 4* USB2.0, 8bit GPIO
- Support 1* SATA, 1* M.2 connector(2242/2260/2280), 1* Mini PCI-E(Full size), Support 3G/4G SIM Card
- Support wide voltage input 9~28V DC
- Support TPM2.0 (HPC156SC-FP19BT2 only)
- IP65-rated front bezel



Mechanical Dimension (Unit: mm)



*The Specification may be changed without further notice.
www.jetwayipc.com

Display

Front Bezel	IP65, NEMA 4 rugged protection, Full planar metal border
Display Type	15.6" With LED Backlight
Brightness (cd/m ²)	250 nits
Display Color	262K
Resolution	1920 x 1080 @ 60Hz
Viewing Angle (H/V)	170°/170°
Pixel Pitch	0.17925 x 0.17925 mm
Aspect Ratio	16:9
Contrast Ratio	800:1
Response Time	35 ms

Touch Screen

Type	Projected capacitive type
Active Range	387.00 x 231.00mm ±0.3mm
Transparency	≥ 85%
Surface Hardness	≥ 6H (JIS-5400)
Operating Force	/
Knock test	/

Main System

CPU	Intel® Bay Trail-D J1900 2.0GHz/QC
RAM	4G 1333MHz DDR3L DRAM
BIOS	64MB SPI Flash ROM
Storage	1* SATA 1* M.2 (2242/2260/2280)
Speaker	2* 3W/8Ω
Watchdog Timer	255 levels, 0~255 sec.
OS Support	Windows 7 / 8.1 / 10 / Linux

Power

Power Input	100~240V AC-DC 60W 9~28V DC with over current protection fuse
Consumption	23W

Dimensions

Case Dimensions	391.0 * 239.0 * 59.7mm
-----------------	------------------------

Certifications

Certifications	CE, FCC, IP65 (Front)
----------------	-----------------------

I/O Connector

I/O Ports and Switches	2* USB3.0, 4* USB2.0, 1* GPIO 2* RS232, 2* RS232/422/485 1* VGA, 2 * GbE, 1* Power button 1* Lockable Jack 9~28V DC-in
------------------------	---

Environment

Temperature	Operating: -10°C ~ +60°C Storage: -20°C ~ +70°C
Shock	15G, 11ms
Vibration	5~500Hz/1Grms

Expansion

Interface	1* Mini PCIe slot for WIFI or 3G/4G
-----------	-------------------------------------

*The Specification may be changed without further notice.
www.jetwayipc.com

1. Projected capacitive type touch panel
2. Fanless cooling system
3. IP65-rated front bezel
4. Easy to install HDD and DARM
5. Wireless material design

HPC170C-DCP1135G7

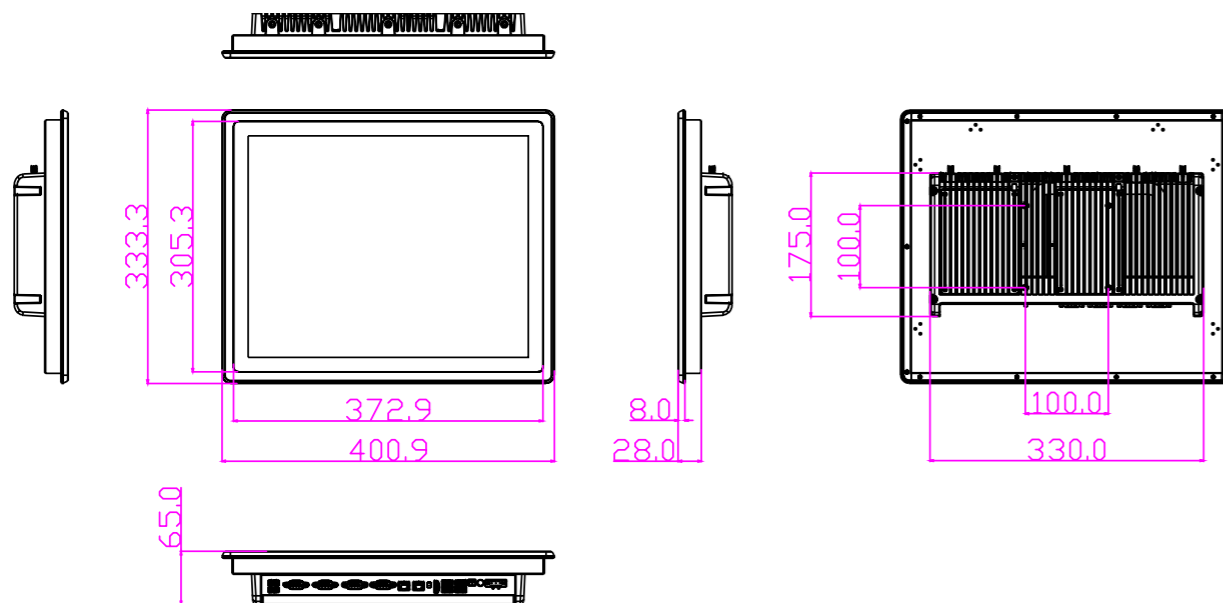


Features

- 17.0" 350 nits TFT LCD with LED backlight
- Onboard Intel® Tiger Lake i5-1135G7 2.4GHz Quad Cores CPU
- DDR4 SO-DIMM (Max 64GB)
- 2* USB3.2 (Gen1), 4* USB2.0, 2* RS232/422/485, 2* RS232 (option 16bit GPIO), 1* HDMI, 1* Intel® I225-V 2.5GbE, 1* Intel® I219LM GbE
- 1* 2.5" SATA HDD, 1* M.2 M key (2242/2280, PCI-Ex4), 1* M.2 E key (2230) for WIFI, 1* M.2 B key (3042/3052/6570) for 4G/5G Module (4pcs Built in Antenna)
- IP65-rated front bezel



Mechanical Dimension (Unit: mm)



*The Specification may be changed without further notice.
www.jetwayipc.com

Display

Front Bezel	IP65, NEMA 4 rugged protection, Full planar metal border
Display Type	17.0" With LED Backlight
Brightness (cd/m ²)	350 nits
Display Color	16.7M
Resolution	1280*1024 @ 60Hz
Viewing Angle (H/V)	170°/160°
Pixel Pitch	0.264 x 0.264mm
Aspect Ratio	4:3
Contrast Ratio	1000:1
Response Time	3.5 ms

Touch Screen

Type	Projected capacitive type
Active Range	372.92 x 305.34mm ±0.3mm
Transparency	≥ 85%
Surface Hardness	≥ 6H (JIS-5400)
Operating Force	/
Knock test	/

Main System

CPU	Intel® Tiger Lake i5-1135G7 2.4GHz
RAM	DDR4 SO-DIMM (Max 64GB)
BIOS	256MB SPI Flash ROM
Storage	1* 2.5" SATA HDD 1* M.2 M key (2242/2280, PCI-Ex4)
Speaker	/
Watchdog Timer	256 levels, 0~255 sec
OS Support	Windows 10/11, Linux

Power

Power Input	100~240V AC-DC 90W 12~36V DC with over current protection fuse
Consumption	47.5W

Dimensions

Case Dimensions	400.9 * 333.3* 65.0mm
-----------------	-----------------------

Certifications

Certifications	CE, FCC, IP65 (Front)
----------------	-----------------------

I/O Connector

I/O Ports and Switches	2* USB3.2 (Gen. 1), 4* USB2.0, 2* RS232/422/485, 2* RS232 (option 16bit GPIO), 1* HDMI, 1* AT/ATX Mode Button, 1* Intel® I225-V 2.5GbE, 1* Intel® I219LM GbE
------------------------	--

Environment

Temperature	Operating: -10°C ~ +50°C Storage: -20°C ~ +70°C
Shock	15G, 11ms
Vibration	5~500Hz/1Grms

Expansion

Interface	1* M.2 E key (2230), 1* M.2 B key (3042/3052/6570)
-----------	--

*The Specification may be changed without further notice.
www.jetwayipc.com

1. Projected capacitive type touch panel
2. Fanless cooling system
3. IP65-rated front bezel
4. Easy to install HDD and DARM
5. Wireless material design

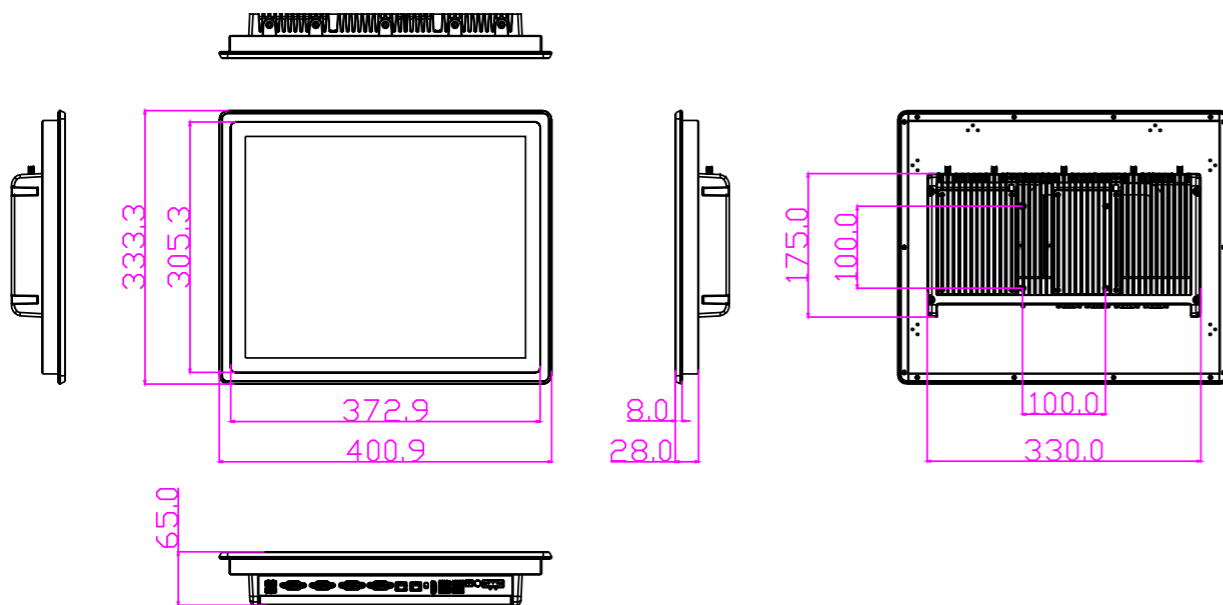
HPC170C-DCP6305E



Features

- 17.0" 350 nits TFT LCD with LED backlight
- Onboard Intel® Tiger Lake 6305E 1.8GHz Dual-core CPU
- DDR4 SO-DIMM (Max 64GB)
- 2* USB3.2 (Gen1), 4* USB2.0, 2* RS232/422/485, 2* RS232 (option 16bit GPIO), 1* HDMI, 1* Intel® I225-V 2.5GbE, 1* Intel® I219LM GbE
- 1* 2.5" SATA HDD, 1* M.2 M key (2242/2280, PCI-Ex4), 1* M.2 E key (2230) for WIFI, 1* M.2 B key (3042/3052/6570) for 4G/5G Module (4pcs Built in Antenna)
- IP65-rated front bezel

Mechanical Dimension (Unit: mm)



*The Specification may be changed without further notice.
www.jetwayipc.com

Specifications

HPC170C-DCP6305E

Display

Front Bezel	IP65, NEMA 4 rugged protection, Full planar metal border
Display Type	17.0" With LED Backlight
Brightness (cd/m ²)	350 nits
Display Color	16.7M
Resolution	1280*1024 @ 60Hz
Viewing Angle (H/V)	170°/160°
Pixel Pitch	0.264 x 0.264mm
Aspect Ratio	4:3
Contrast Ratio	1000:1
Response Time	3.5 ms

Touch Screen

Type	Projected capacitive type
Active Range	372.92 x 305.34mm ±0.3mm
Transparency	≥ 85%
Surface Hardness	≥ 6H (JIS-5400)
Operating Force	/
Knock test	/

Main System

CPU	Intel® Tiger Lake 6305E 1.8GHz
RAM	DDR4 SO-DIMM (Max 64GB)
BIOS	256MB SPI Flash ROM
Storage	1* 2.5" SATA HDD 1* M.2 M key (2242/2280, PCI-Ex4)
Speaker	/
Watchdog Timer	256 levels, 0~255 sec
OS Support	Windows 10/11, Linux

Power

Power Input	100~240V AC-DC 90W 12~36V DC with over current protection fuse
Consumption	47.5W

Dimensions

Case Dimensions	400.9 * 333.3* 65.0mm
-----------------	-----------------------

Certifications

Certifications	CE, FCC, IP65 (Front)
----------------	-----------------------

I/O Connector

I/O Ports and Switches	2* USB3.2 (Gen. 1), 4* USB2.0, 2* RS232/422/485, 2* RS232 (option 16bit GPIO), 1* HDMI, 1* AT/ATX Mode Button, 1* Intel® I225-V 2.5GbE, 1* Intel® I219LM GbE
------------------------	--

Environment

Temperature	Operating: -10°C ~ +50°C Storage: -20°C ~ +70°C
Shock	15G, 11ms
Vibration	5~500Hz/1Grms

Expansion

Interface	1* M.2 E key (2230), 1* M.2 B key (3042/3052/6570)
-----------	--

*The Specification may be changed without further notice.
www.jetwayipc.com

1. Projected capacitive type touch panel
2. Fanless cooling system
3. IP65-rated front bezel
4. Easy to install HDD and DARM
5. Wireless material design

HPC215C-DCP6305E

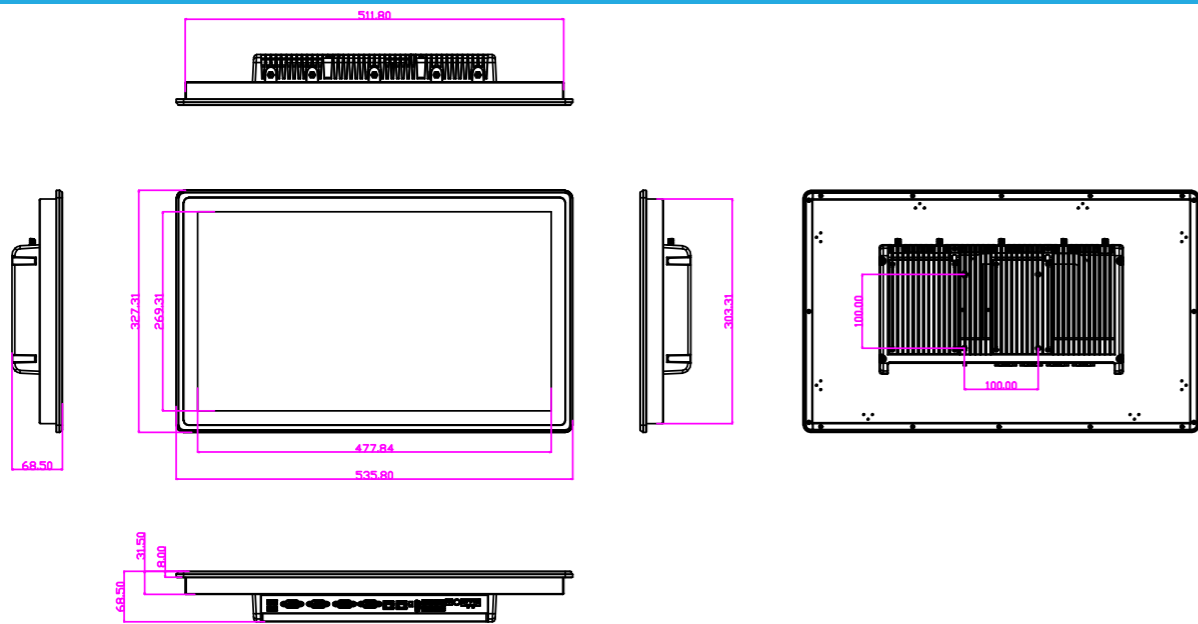


Features

- 21.5" 250 nits TFT LCD with LED backlight
- Onboard Intel® Tiger Lake 6305E 1.8GHz Dual-core CPU
- DDR4 SO-DIMM (Max 64GB)
- 2* USB3.2 (Gen1), 4* USB2.0, 2* RS232/422/485, 2* RS232 (option 16bit GPIO), 1* HDMI, 1* Intel® I225-V 2.5GbE, 1* Intel® I219LM GbE
- 1* 2.5" SATA HDD, 1* M.2 M key (2242/2280, PCI-Ex4), 1* M.2 E key (2230) for WIFI, 1* M.2 B key (3042/3052/6570) for 4G/5G Module (4pcs Built in Antenna)
- IP65-rated front bezel



Mechanical Dimension (Unit: mm)



*The Specification may be changed without further notice.
www.jetwayipc.com

Specifications

HPC215C-DCP6305E

Display

Front Bezel	IP65, NEMA 4 rugged protection, Full planar metal border
Display Type	21.5" With LED Backlight
Brightness (cd/m ²)	250 nits
Display Color	16.7M
Resolution	1920*1080 @ 60Hz
Viewing Angle (H/V)	178°/178°
Pixel Pitch	0.24825 x 0.24825mm
Aspect Ratio	16:9
Contrast Ratio	1000:1
Response Time	17 ms

Touch Screen

Type	Projected capacitive type
Active Range	386.81 x 237.12mm ±0.3mm
Transparency	≥ 85%
Surface Hardness	≥ 6H (JIS-5400)
Operating Force	/
Knock test	/

Main System

CPU	Intel® Tiger Lake 6305E 1.8GHz
RAM	DDR4 SO-DIMM (Max 64GB)
BIOS	256MB SPI Flash ROM
Storage	1* 2.5" SATA HDD 1* M.2 M key (2242/2280, PCI-Ex4)
Speaker	/
Watchdog Timer	256 levels, 0~255 sec
OS Support	Windows 10/11, Linux

Power

Power Input	100~240V AC-DC 90W 12~36V DC with over current protection fuse
Consumption	45W

Dimensions

Case Dimensions	535.80 * 327.31 * 68.50 mm
-----------------	----------------------------

Certifications

Certifications	CE, FCC, IP65 (Front)
----------------	-----------------------

I/O Connector

I/O Ports and Switches	2* USB3.2 (Gen. 1), 4* USB2.0, 2* RS232/422/485, 2* RS232 (option 16bit GPIO), 1* HDMI, 1* AT/ATX Mode Button, 1* Intel® I225-V 2.5GbE, 1* Intel® I219LM GbE
------------------------	--

Environment

Temperature	Operating: -10°C ~ +50°C Storage: -20°C ~ +70°C
Shock	15G, 11ms
Vibration	5~500Hz/1Grms

Expansion

Interface	1* M.2 E key (2230), 1* M.2 B key (3042/3052/6570)
-----------	--

*The Specification may be changed without further notice.
www.jetwayipc.com

1. Projected capacitive type touch panel
2. Fanless cooling system
3. IP65-rated front bezel
4. Easy to install HDD and DARM
5. Wireless material design

HPC215C-DCP1135G7

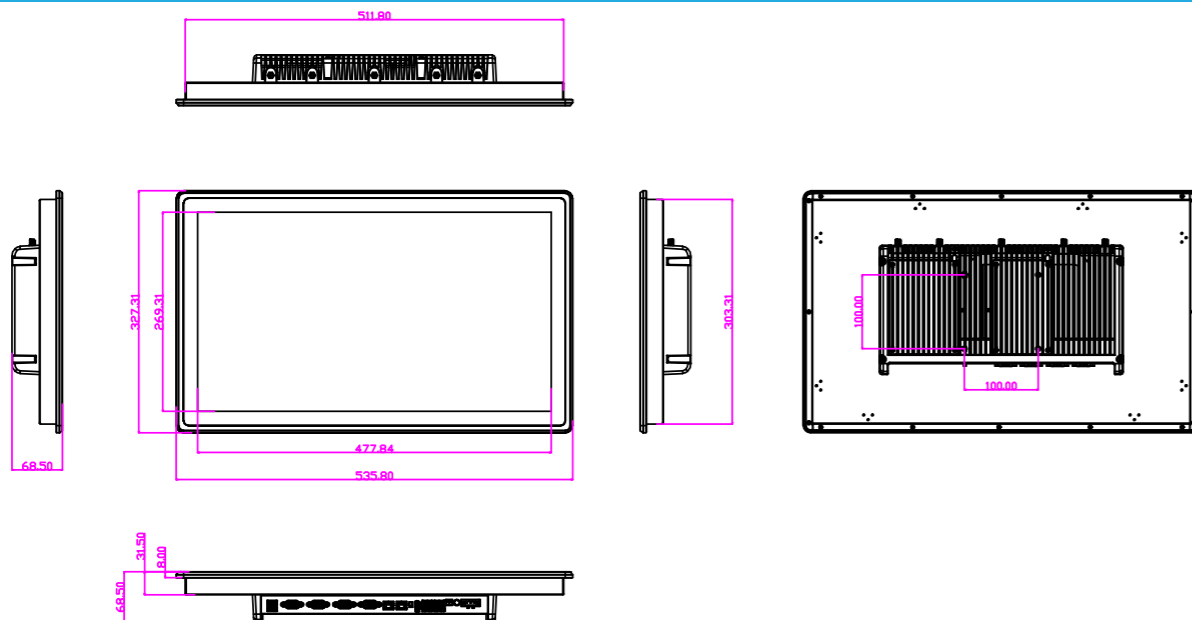


Features

- 21.5" 250 nits TFT LCD with LED backlight
- Onboard Intel® Tiger Lake i5-1135G7 2.4GHz Quad Cores CPU
- DDR4 SO-DIMM (Max 64GB)
- 2* USB3.2 (Gen1), 4* USB2.0, 2* RS232/422/485, 2* RS232 (option 16bit GPIO), 1* HDMI, 1* Intel® I225-V 2.5GbE, 1* Intel® I219LM GbE
- 1* 2.5" SATA HDD, 1* M.2 M key (2242/2280, PCI-Ex4), 1* M.2 E key (2230) for WIFI, 1* M.2 B key (3042/3052/6570) for 4G/5G Module (4pcs Built in Antenna)
- IP65-rated front bezel



Mechanical Dimension (Unit: mm)



*The Specification may be changed without further notice.
www.jetwayipc.com

Display

Front Bezel	IP65, NEMA 4 rugged protection, Full planar metal border
Display Type	21.5" With LED Backlight
Brightness (cd/m ²)	250 nits
Display Color	16.7M
Resolution	1920*1080 @ 60Hz
Viewing Angle (H/V)	178°/178°
Pixel Pitch	0.24825 x 0.24825mm
Aspect Ratio	16:9
Contrast Ratio	1000:1
Response Time	17 ms

Touch Screen

Type	Projected capacitive type
Active Range	386.81 x 237.12mm ±0.3mm
Transparency	≥ 85%
Surface Hardness	≥ 6H (JIS-5400)
Operating Force	/
Knock test	/

Main System

CPU	Intel® Tiger Lake i5-1135G7 2.4GHz
RAM	DDR4 SO-DIMM (Max 64GB)
BIOS	256MB SPI Flash ROM
Storage	1* 2.5" SATA HDD 1* M.2 M key (2242/2280, PCI-Ex4)
Speaker	/
Watchdog Timer	256 levels, 0~255 sec
OS Support	Windows 10/11, Linux

Power

Power Input	100~240V AC-DC 90W 12~36V DC with over current protection fuse
Consumption	45W

Dimensions

Case Dimensions	535.80 * 327.31 * 68.50mm
-----------------	---------------------------

Certifications

Certifications	CE, FCC, IP65 (Front)
----------------	-----------------------

I/O Connector

I/O Ports and Switches	2* USB3.2 (Gen. 1), 4* USB2.0, 2* RS232/422/485, 2* RS232 (option 16bit GPIO), 1* HDMI, 1* AT/ATX Mode Button, 1* Intel® I225-V 2.5GbE, 1* Intel® I219LM GbE
------------------------	--

Environment

Temperature	Operating: -10°C ~ +50°C Storage: -20°C ~ +70°C
Shock	15G, 11ms
Vibration	5~500Hz/1Grms

Expansion

Interface	1* M.2 E key (2230), 1* M.2 B key (3042/3052/6570)
-----------	--

*The Specification may be changed without further notice.
www.jetwayipc.com

1. Projected capacitive type touch panel
2. Edge-to-edge narrow bezel design
3. Fanless cooling system
4. High brightness TFT LCD
5. IP65-rated front bezel

HPC215SC-FP6412

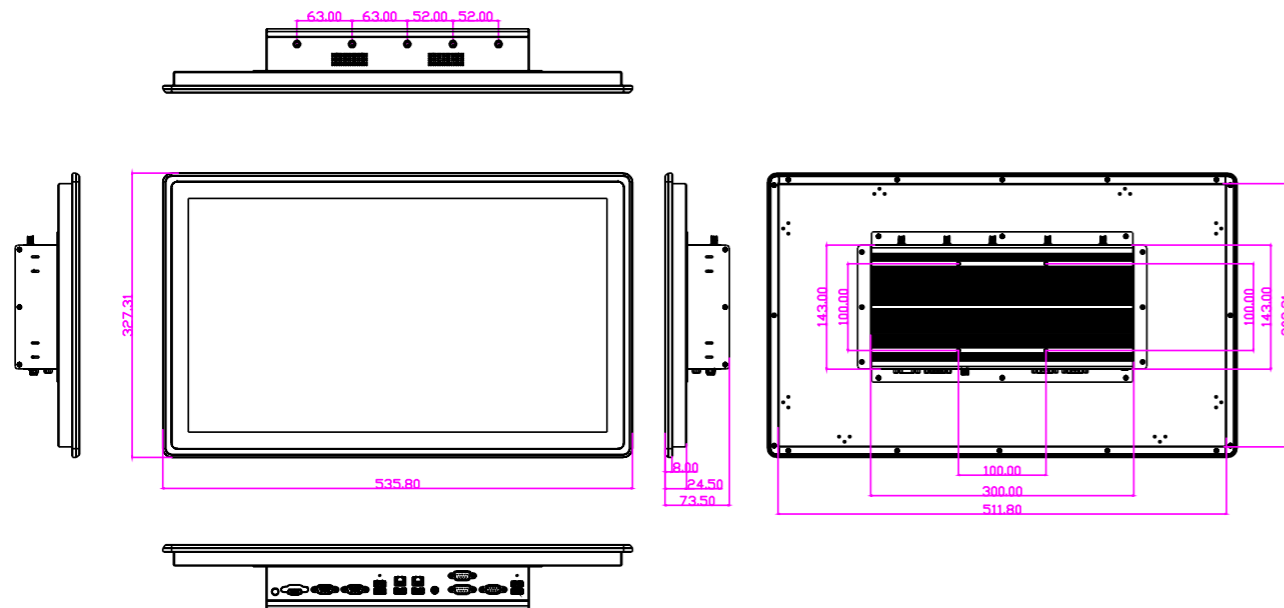


Features

- 21.5" 250 nits high brightness TFT LCD with LED backlight
- Onboard Elkhart Lake J6412 2.0GHz Quad Cores CPU
- Support SO-DIMM DDR4-3200 Memory (Max 32G)
- 2* Intel® i225-V 2.5G LAN, 4* COM (COM1/2 Support RS232/422/485), 2* USB3.2 (Gen1), 4* USB2.0, 8bit GPIO, 1* HDMI2.0
- 1* SATA, 1* M.2 M key (2242/2280, SATA/NVMe), 1* M.2 B-key (3042/3052 for 4G/5G Module)
- Support wide voltage input 9~28V DC
- Support TPM2.0 (HPC215SC-FP6412T2 only)
- IP65-rated front bezel



Mechanical Dimension (Unit: mm)



*The Specification may be changed without further notice.
www.jetwayipc.com

Display

Front Bezel	IP65, NEMA 4 rugged protection, Full planar metal border
Display Type	21.5" With LED Backlight
Brightness (cd/m ²)	250 nits
Display Color	16.7M
Resolution	1920 x 1080 @ 60Hz
Viewing Angle (H/V)	170°/160°
Pixel Pitch	0.24825 x 0.24825 mm
Aspect Ratio	16:9
Contrast Ratio	1000:1
Response Time	17 ms

Touch Screen

Type	Projective capacitive type
Active Range	524.0 x 321.8mm ±0.3mm
Transparency	≥ 85%
Surface Hardness	≥ 6H (JIS-5400)
Operating Force	/
Knock test	/

Main System

CPU	Intel® Elkhart Lake J6412 2.0GHz
RAM	DDR4-3200 SO-DIMM up to 32GB
BIOS	128MB SPI Flash ROM
Storage	1* SATA, 1* M.2 M key (2242/2280, SATA/NVMe)
Speaker	2* 3W/8Ω
Watchdog Timer	255 levels, 0~255 sec.
OS Support	Windows 10 / 11 / Linux

Power

Power Input	100~240V AC-DC 60W 9~28V DC with over current protection fuse
Consumption	32.75W

Dimensions

Case Dimensions	535.80 x 327.31 x 73.50mm
-----------------	---------------------------

Certifications

Certifications	CE, FCC, IP65 (Front)
----------------	-----------------------

I/O Connector

I/O Ports and Switches	2* USB3.2 (Gen1), 2* USB2.0, 1* GPIO, 2* RS232/422/485, 1* HDMI, 2.5* GbE, 1* Power button, 1* Lockable Jack 9~28V DC-in
------------------------	--

Environment

Temperature	Operating: -10°C ~ +60°C Storage: -20°C ~ +60°C
Shock	15G, 11ms
Vibration	5~500Hz/1Grms

Expansion

Interface	1* M.2 B-key (3042/3052 for 4G/5G Module)
-----------	---

*The Specification may be changed without further notice.
www.jetwayipc.com

1. Projected capacitive type touch panel
2. Edge-to-edge narrow bezel design
3. Fanless cooling system
4. High brightness TFT LCD
5. IP65-rated front bezel

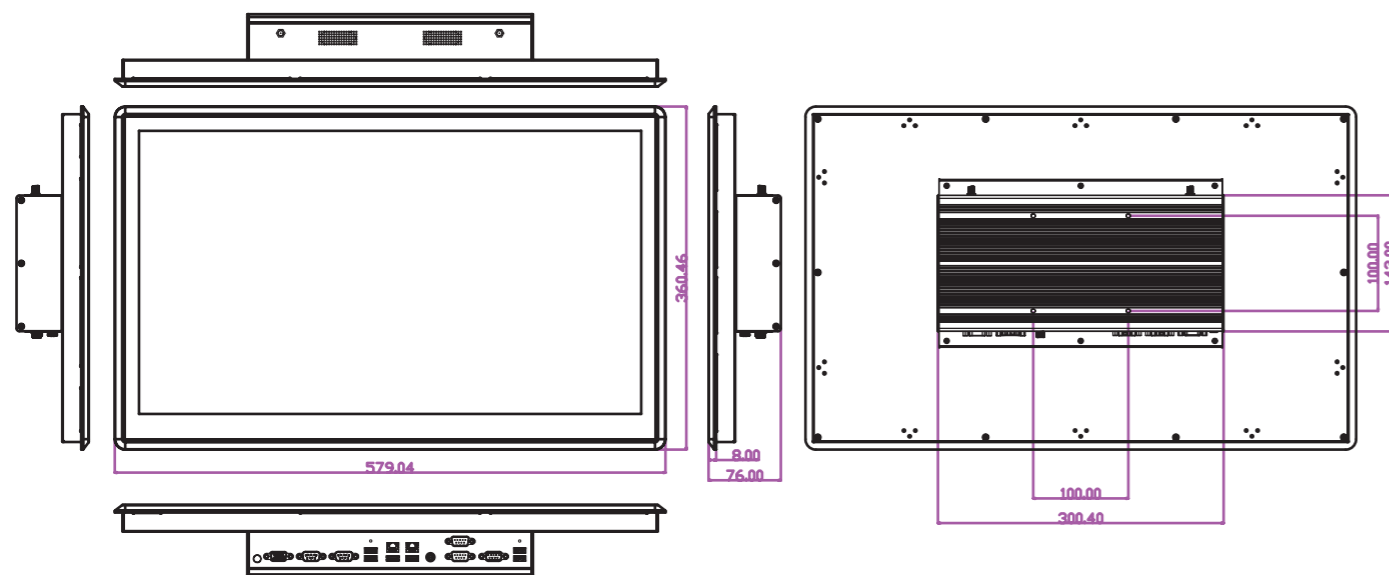
HPC238SC-FP1900B



Features

- 23.8" 250 nits high brightness TFT LCD with LED backlight
- Onboard Intel® Bay Trail-D J1900 2.0GHz Quad Cores CPU
- Onboard 4G/1333MHz DDR3L Memory
- 2* Intel® Gigabit LAN, 4* COM (COM1/2 Support RS232/422/485), 2* USB3.0, 4* USB2.0, 8bit GPIO
- Support 1* SATA, 1* M.2 connector (2242/2260/2280)
- 1* Mini PCI-E(Full size), Support 3G/4G SIM Card
- Support wide voltage input 9~28V DC
- Support TPM2.0 (HPC238SC-FP19BT2 only)
- IP65-rated front bezel

Mechanical Dimension (Unit: mm)



*The Specification may be changed without further notice.
www.jetwayipc.com

Specifications

Display

Front Bezel	IP65, NEMA 4 rugged protection, metal front bezel
Display Type	23.8" With LED Backlight
Brightness (cd/m ²)	250 nits
Display Color	16.7M
Resolution	1920 x 1080 @ 60Hz
Viewing Angle (H/V)	160°/160°
Pixel Pitch	0.2745 x 0.2745 mm
Aspect Ratio	16:9
Contrast Ratio	1000:1
Response Time	25 ms

Touch Screen

Type	Projective capacitive type
Active Range	528.04 x 297.46mm ±0.3mm
Transparency	≥ 85%
Surface Hardness	≥ 6H (ASTM D3363, pressure 1N/45°)
Operating Force	≤ 10g
Knock test	/

Main System

CPU	Intel® Bay Trail-D J1900 2.0GHz/QC
RAM	4G 1333MHz DDR3L DRAM
BIOS	64MB SPI Flash ROM
Storage	1* SATA 1* M.2 (2242/2260/2280)
Speaker	2* 3W/8Ω
Watchdog Timer	255 levels, 0~255 sec.
OS Support	Windows 7 / 8.1 / 10 / Linux

Power

Power Input	100~240V AC-DC 60W 9~28V DC with over current protection fuse
Consumption	42.5W

Dimensions

Case Dimensions	579.04 * 360.46 * 76.00mm
-----------------	---------------------------

Certifications

Certifications	CE, FCC, IP65 (Front)
----------------	-----------------------

I/O Connector

I/O Ports and Switches	2* USB3.0, 4* USB2.0, 2* RS232 2* RS232/422/485, 1* VGA, 2* GbE, 1* GPIO, 1* Power button, 1* Lockable Jack 9~28V DC-in
------------------------	--

Environment

Temperature	Operating: -10°C ~ +60°C Storage: -20°C ~ +70°C
Shock	15G, 11ms
Vibration	5~500Hz/1Grms

Expansion

Interface	1* Mini PCIe slot for WIFI or 3G/4G
-----------	-------------------------------------

*The Specification may be changed without further notice.
www.jetwayipc.com

1. Projected capacitive type touch panel
2. Edge-to-edge narrow bezel design
3. Fanless cooling system
4. High brightness TFT LCD
5. IP65-rated front bezel

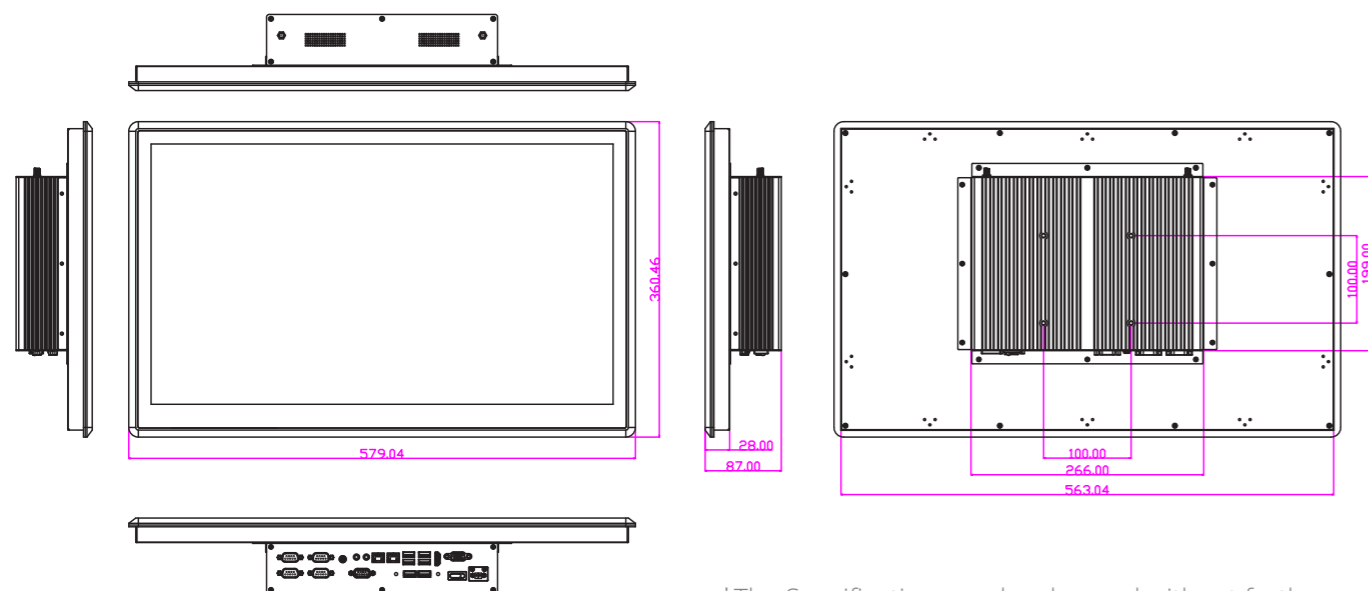
HPC238SC-FPH310



Features

- 23.8" 250 nits high brightness TFT LCD with LED backlight
- Onboard Intel® LGA1151 Socket Core I3, I5, I7 Pentium T Series CPU
- 2* DDR4 SO-DIMM up to 32GB
- 2* Intel® Gigabit LAN, 4* COM
- 4* USB3.0, 2* USB2.0, 8bit GPIO Port (5V)
- Support 1* SATA, 1* M.2 connector (2242 M Key)
- 1* M.2 E Key 2230 for WIFI or 3G/4G (Support CNVi)
- IP65-rated front bezel

Mechanical Dimension (Unit: mm)



*The Specification may be changed without further notice.
www.jetwayipc.com

Specifications

HPC238SC-FPH310

Display

Front Bezel	IP65, NEMA 4 rugged protection, metal front bezel
Display Type	23.8" With LED Backlight
Brightness (cd/m ²)	250 nits
Display Color	16.7M
Resolution	1920 x 1080 @ 60Hz
Viewing Angle (H/V)	160°/160°
Pixel Pitch	0.2745 x 0.2745 mm
Aspect Ratio	16:9
Contrast Ratio	1000:1
Response Time	25 ms

Touch Screen

Type	Projective capacitive type
Active Range	528.04 x 297.46mm ±0.3mm
Transparency	85 ±5%
Surface Hardness	≥ 6H (ASTM D3363, pressure 1N/45°)
Operating Force	≤ 10g
Knock test	/

Main System

CPU	Intel® LGA1151 Socket Core I3, I5, I7 Pentium T Series
RAM	2* DDR4 SO-DIMM up to 32GB
BIOS	128MB SPI Flash ROM
Storage	1* SATA 1* M.2 (2242 M Key)
Speaker	2* 3W/8Ω
Watchdog Timer	256 levels, 0~255 sec.
OS Support	Windows 10 / Linux

Power

Power Input	100~240V AC-DC 60W 12~24V DC with over current protection fuse
Consumption	By CPU

Dimensions

Case Dimensions	579.04 * 360.46 * 87.00mm
-----------------	---------------------------

Certifications

Certifications	CE, FCC, IP65 (Front)
----------------	-----------------------

I/O Connector

I/O Ports and Switches	4* USB3.0, 2* USB2.0, 4* RS232, 1* HDMI, 1* VGA, 1* 8bit GPIO (5V), 1* Line-out, MIC, 2* GbE, 1* Power button, 1* Lockable Jack 12~24V DC-in
------------------------	--

Environment

Temperature	Operating: -10°C ~ +50°C Storage: -20°C ~ +70°C
Shock	15G, 11ms
Vibration	5~500Hz/1Grms

Expansion

Interface	1* M.2 E Key 2230 for WIFI or 3G/4G (Support CNVi)
-----------	--

*The Specification may be changed without further notice.
www.jetwayipc.com

1. Projected capacitive type touch panel
2. Fanless cooling system
3. IP65-rated front bezel
4. Easy to install HDD and DARM
5. Wireless material design

HPC270C-DCP6305E

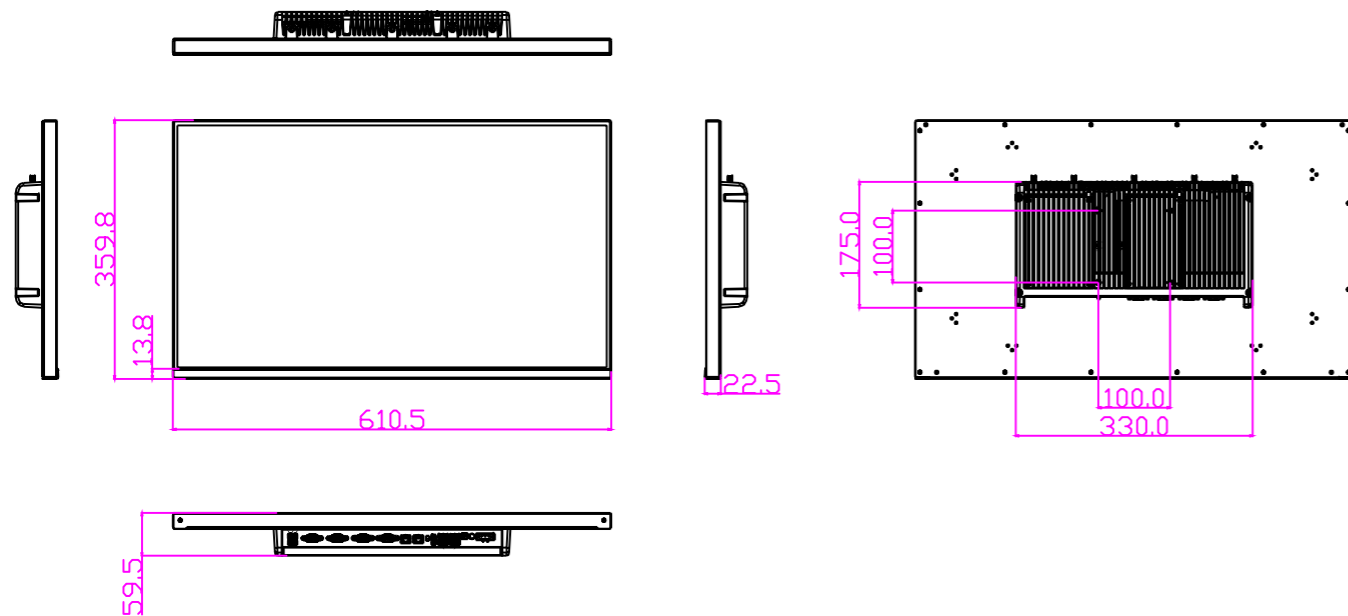


Features

- 27.0" 300 nits TFT LCD with LED backlight
- Onboard Intel® Tiger Lake 6305E 1.8GHz Dual-core CPU
- DDR4 SO-DIMM (Max 64GB)
- 2* USB3.2 (Gen1), 4* USB2.0, 2* RS232/422/485, 2* RS232 (option 16bit GPIO), 1* HDMI, 1* Intel® I225-V 2.5GbE, 1* Intel® I219LM GbE
- 1* 2.5" SATA HDD, 1* M.2 M key (2242/2280, PCI-Ex4), 1* M.2 E key (2230) for WIFI, 1* M.2 B key (3042/3052/6570) for 4G/5G Module (4pcs Built in Antenna)



Mechanical Dimension (Unit: mm)



*The Specification may be changed without further notice.
www.jetwayipc.com

Specifications

Display

Front Bezel	IP65, NEMA 4 rugged protection, Full planar metal border
Display Type	27.0" With LED Backlight
Brightness (cd/m ²)	300 nits
Display Color	16.7M
Resolution	1920*1080 @ 60Hz
Viewing Angle (H/V)	178°/178°
Pixel Pitch	0.1038 x 0.1038mm
Aspect Ratio	16:9
Contrast Ratio	1000:1
Response Time	13 ms

Touch Screen

Type	Projected capacitive type
Active Range	597.888 x 336.312mm ±0.2mm
Transparency	≥ 85%
Surface Hardness	≥ 3H (JIS-5400)
Operating Force	/
Knock test	/

Main System

CPU	Intel® Tiger Lake 6305E 1.8GHz
RAM	DDR4 SO-DIMM (Max 64GB)
BIOS	256MB SPI Flash ROM
Storage	1* 2.5" SATA HDD 1* M.2 M key (2242/2280, PCI-Ex4)
Speaker	/
Watchdog Timer	256 levels, 0~255 sec
OS Support	Windows 10/11, Linux

Power

Power Input	100~240V AC-DC 90W 12~36V DC with over current protection fuse
Consumption	48W

Dimensions

Case Dimensions	610.5 * 359.8 * 59.5mm
-----------------	------------------------

Certifications

Certifications	/
----------------	---

I/O Connector

I/O Ports and Switches	2* USB3.2 (Gen. 1), 4* USB2.0, 2* RS232/422/485, 2* RS232 (option 16bit GPIO), 1* HDMI, 1* AT/ATX Mode Button, 1* Intel® I225-V 2.5GbE, 1* Intel® I219LM GbE
------------------------	--

Environment

Temperature	Operating: -10°C ~ +50°C Storage: -20°C ~ +70°C
Shock	15G, 11ms
Vibration	5~500Hz/1Grms

Expansion

Interface	1* M.2 E key (2230), 1* M.2 B key (3042/3052/6570)
-----------	--

*The Specification may be changed without further notice.
www.jetwayipc.com

1. Projected capacitive type touch panel
2. Fanless cooling system
3. IP65-rated front bezel
4. Easy to install HDD and DARM
5. Wireless material design

HPC270C-DCP1135G7

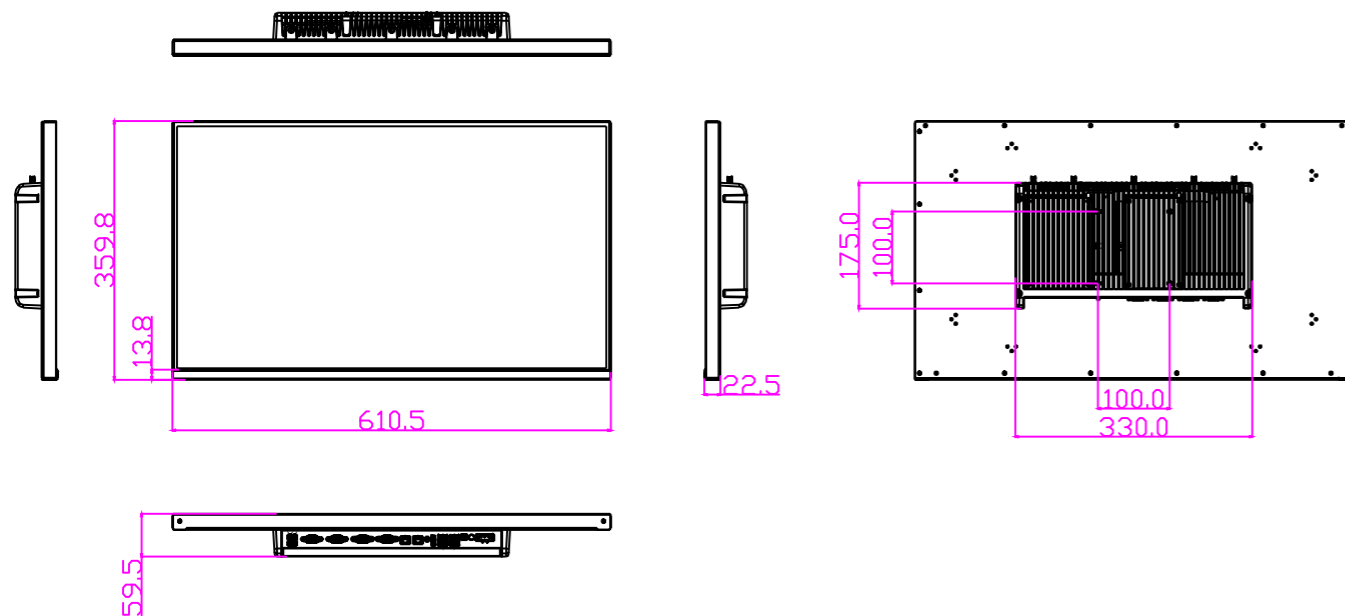


Features

- 27.0" 300 nits TFT LCD with LED backlight
- Onboard Intel® Tiger Lake i5-1135G7 2.4GHz Quad Cores CPU
- DDR4 SO-DIMM (Max 64GB)
- 2* USB3.2 (Gen1), 4* USB2.0, 2* RS232/422/485, 2* RS232 (option 16bit GPIO), 1* HDMI, 1* Intel® I225-V 2.5GbE, 1* Intel® I219LM GbE
- 1* 2.5" SATA HDD, 1* M.2 M key (2242/2280, PCI-Ex4), 1* M.2 E key (2230) for WIFI, 1* M.2 B key (3042/3052/6570) for 4G/5G Module (4pcs Built in Antenna)



Mechanical Dimension (Unit: mm)



*The Specification may be changed without further notice.
www.jetwayipc.com

Display

Front Bezel	IP65, NEMA 4 rugged protection, Full planar metal border
Display Type	27.0" With LED Backlight
Brightness (cd/m ²)	300 nits
Display Color	16.7M
Resolution	1920*1080 @ 60Hz
Viewing Angle (H/V)	178°/178°
Pixel Pitch	0.1038 x 0.1038mm
Aspect Ratio	16:9
Contrast Ratio	1000:1
Response Time	13 ms

Touch Screen

Type	Projected capacitive type
Active Range	597.888 x 336.312mm ±0.2mm
Transparency	≥ 85%
Surface Hardness	≥ 3H (JIS-5400)
Operating Force	/
Knock test	/

Main System

CPU	Intel® Tiger Lake i5-1135G7 2.4GHz
RAM	DDR4 SO-DIMM (Max 64GB)
BIOS	256MB SPI Flash ROM
Storage	1* 2.5" SATA HDD 1* M.2 M key (2242/2280, PCI-Ex4)
Speaker	/
Watchdog Timer	256 levels, 0~255 sec
OS Support	Windows 10/11, Linux

Power

Power Input	100~240V AC-DC 90W 12~36V DC with over current protection fuse
Consumption	48W

Dimensions

Case Dimensions	610.5 * 359.8 * 59.5mm
-----------------	------------------------

Certifications

Certifications	/
----------------	---

I/O Connector

I/O Ports and Switches	2* USB3.2 (Gen. 1), 4* USB2.0, 2* RS232/422/485, 2* RS232 (option 16bit GPIO), 1* HDMI, 1* AT/ATX Mode Button, 1* Intel® I225-V 2.5GbE, 1* Intel® I219LM GbE
------------------------	--

Environment

Temperature	Operating: -10°C ~ +50°C Storage: -20°C ~ +70°C
Shock	15G, 11ms
Vibration	5~500Hz/1Grms

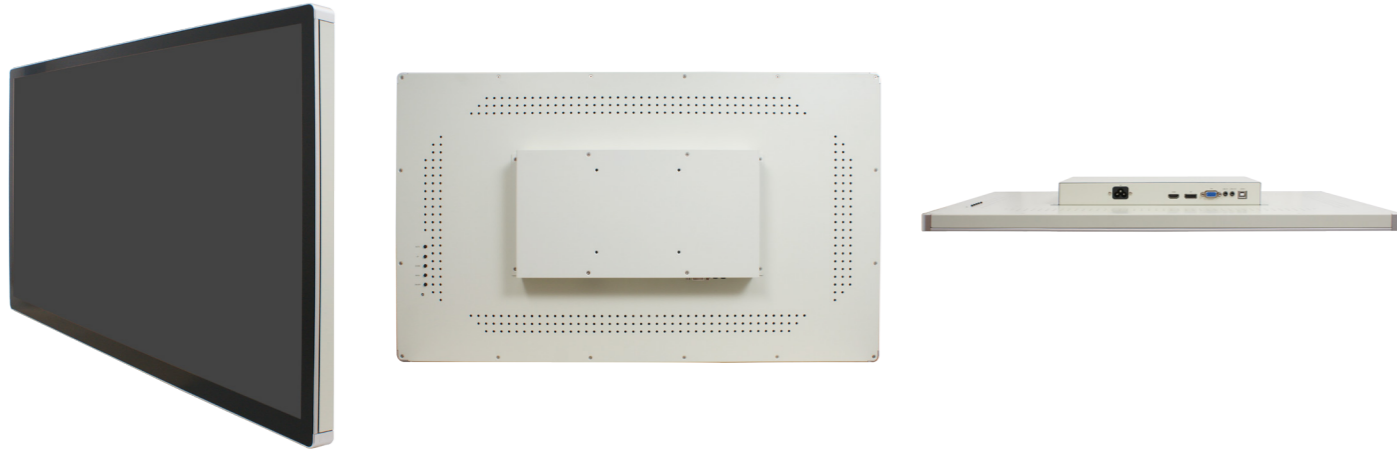
Expansion

Interface	1* M.2 E key (2230), 1* M.2 B key (3042/3052/6570)
-----------	--

*The Specification may be changed without further notice.
www.jetwayipc.com

1. LG in-cell 10-points Multi Capacitive Touch
2. A true Flat and Slim Design, Clear Image, support Cover-Glass Elimination
3. Support Anti-glare and Anti-fingerprint

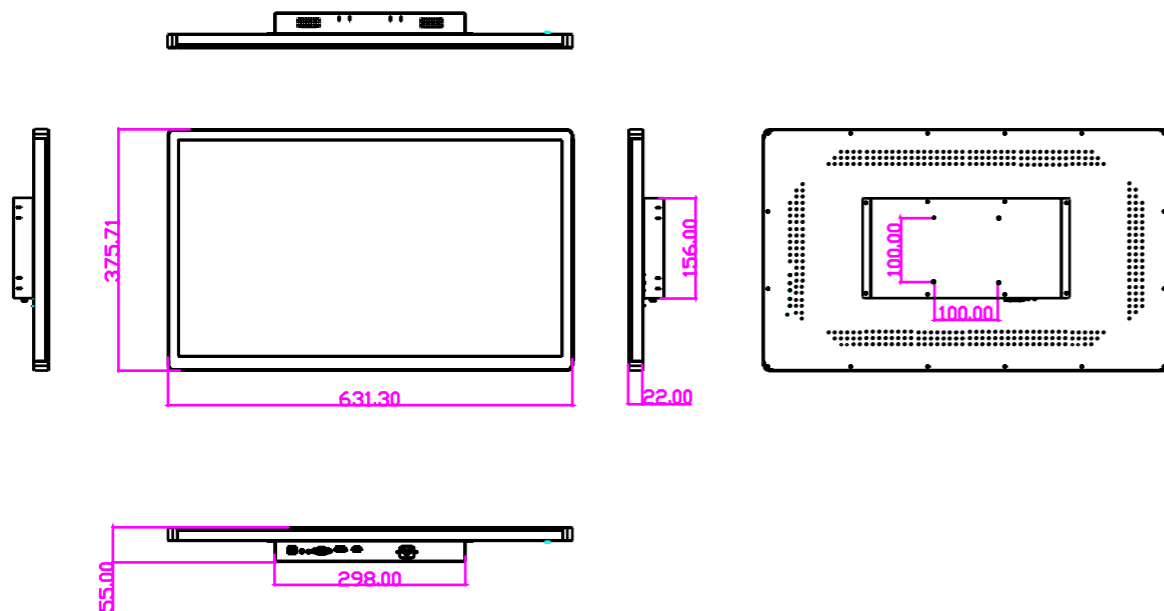
MPC270CW-DF69



Features

- 27" 300 nits TFT LCD with LED backlight
- LG in-cell 10-points Multi Capacitive Touch
- Using in-cell Touch technology which combines the display and touch functions for small to large size applications, support High Touch Performance and matching accuracy
- A true Flat and Slim Design, Clear Image, support Cover-Glass Elimination, Anti-glare and Anti-fingerprint
- OSD Multilanguage function
- Front IP65 for protection against water and dust
- Support VESA Mounting

Mechanical Dimension (Unit: mm)



*The Specification may be changed without further notice.
www.jetwayipc.com

Specifications

MPC270CW-DF69

Display

Front Bezel	IP65, NEMA 4 rugged protection, metal front bezel
Display Type	27" With LED Backlight
Brightness (cd/m ²)	300 nits
Display Color	16.7M
Resolution	1920 x 1080 @ 60Hz
Viewing Angle (H/V)	178°/178°
Pixel Pitch	0.1038 x 0.1038mm
Aspect Ratio	16:9
Contrast Ratio	1000:1
Response Time	9 ms

Touch Screen

Type	LG in-cell Touch
Active Range	598.69 x 337.11mm ±0.3mm
Transparency	≥ 85%
Surface Hardness	≥ 6H (JIS-5400)
Operating Force	/
Knock test	/

Main System

CPU	/
RAM	/
BIOS	/
Storage	/
Speaker	2* 3W/8Ω
Watchdog Timer	/
OS Support	/

Power

Power Input	110~240V AC-DC 60W
-------------	--------------------

Consumption	32.5W
-------------	-------

Dimensions

Case Dimensions	631.30 * 375.71 * 55.0mm
-----------------	--------------------------

Certifications

Certifications	CE, FCC, IP65 (Front)
----------------	-----------------------

I/O Connector

I/O Ports and Switches	1* USB2.0 (Type B)
	1* HDMI
	1* VGA, 1* DP
	1* Line-in, 1* Line-out

Environment

Temperature	Operating: -10°C ~ +60°C Storage: -20°C ~ +70°C
Shock	1ms
Vibration	5~500Hz/1Grms

Expansion

Interface	/
-----------	---

*The Specification may be changed without further notice.
www.jetwayipc.com

1. LG in-cell 10-points Multi Capacitive Touch
2. A true Flat and Slim Design, Clear Image, support Cover-Glass Elimination
3. Support Anti-glare and Anti-fingerprint

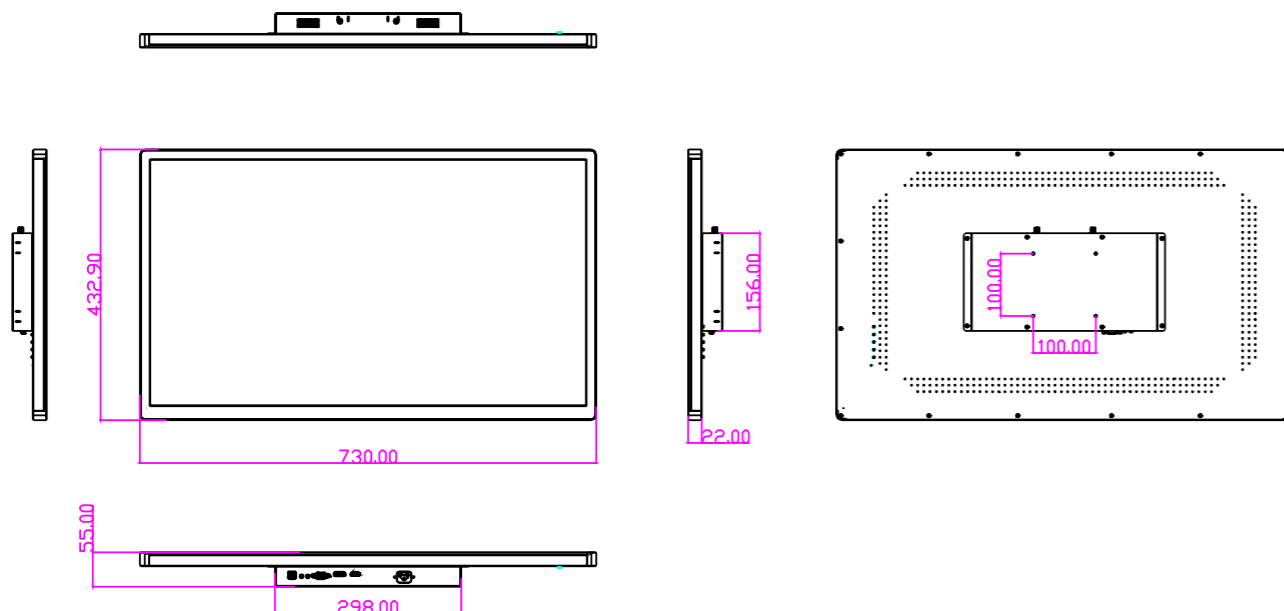
MPC315CW-DF69



Features

- 31.5" 300 nits TFT LCD with LED backlight
- LG in-cell 10-points Multi Capacitive Touch
- Using in-cell Touch technology which combines the display and touch functions for small to large size applications, support High Touch Performance and matching accuracy
- A true Flat and Slim Design, Clear Image, support Cover-Glass Elimination, Anti-glare and Anti-fingerprint
- OSD Multilanguage function
- Front IP65 for protection against water and dust
- Support VESA Mounting

Mechanical Dimension (Unit: mm)



*The Specification may be changed without further notice.
www.jetwayipc.com

Specifications

Display

Front Bezel	IP65, NEMA 4 rugged protection, metal front bezel
Display Type	31.5" With LED Backlight
Brightness (cd/m ²)	300 nits
Display Color	16.7M
Resolution	1920 x 1080 @ 60Hz
Viewing Angle (H/V)	178°/178°
Pixel Pitch	0.1038 x 0.1038mm
Aspect Ratio	16:9
Contrast Ratio	1000:1
Response Time	9 ms

Touch Screen

Type	LG in-cell Touch
Active Range	698.8 x 394.9mm ±0.3mm
Transparency	≥ 85%
Surface Hardness	≥ 6H (JIS-5400)
Operating Force	/
Knock test	/

Main System

CPU	/
RAM	/
BIOS	/
Storage	/
Speaker	2* 3W/8Ω
Watchdog Timer	/
OS Support	/

Power

Power Input	110~240V AC-DC 60W
-------------	--------------------

Consumption	32.5W
-------------	-------

Dimensions

Case Dimensions	730 * 432.9 * 55mm
-----------------	--------------------

Certifications

Certifications	CE, FCC, IP65 (Front)
----------------	-----------------------

I/O Connector

I/O Ports and Switches	1* USB2.0 (Type B) 1* HDMI 1* VGA, 1* DP 1* Line-in, 1* Line-out
------------------------	---

Environment

Temperature	Operating: -10°C ~ +60°C Storage: -20°C ~ +70°C
Shock	1ms
Vibration	5~500Hz/1Grms

Expansion

Interface	/
-----------	---

*The Specification may be changed without further notice.
www.jetwayipc.com

Stainless Rugged Fanless Panel PC Benefit & Application

Jetway Stainless Rugged Fanless Panel PC is made of SUS316 stainless steel, which can prevent bacteria growth and avoid rust by prolonged usage. Its fully IP67-rated water/dust-proof enclosure and M12-type connectors ensure the product's ability to resist ingress of high temperature steam and pressure washing. The product supports 5-wires resistive touch panel, 4GB on-board DDR3L memory, wide-range 9~28V DC-in and Mini-PCIe slot for WiFi/LTE connection. It is the top choice for food, chemical, pharmaceutical, transportation industries, steel mills, gas pumps, outdoor information kiosks and oil pipeline monitoring application.

Jetway Stainless Rugged Panel PC series are specifically designed for dusty or damp spaces in food factories or kitchens and low temperature environments such as cold storage warehouses. Customized orders are available to support various application demands from our clients.

Welcome to use Jetway Stainless Rugged Panel PC.

Standard Panel PC Benefit & Application

Jetway's Standard touch panel PC series are essential in commercial and industrial applications with specifically designed waterproof and industrial displays to endure the rigorous requirements of modern commerce and industrial environments, the best choice to integrate into automation applications, ATM machines and other human machine interfaces to provide professional services.

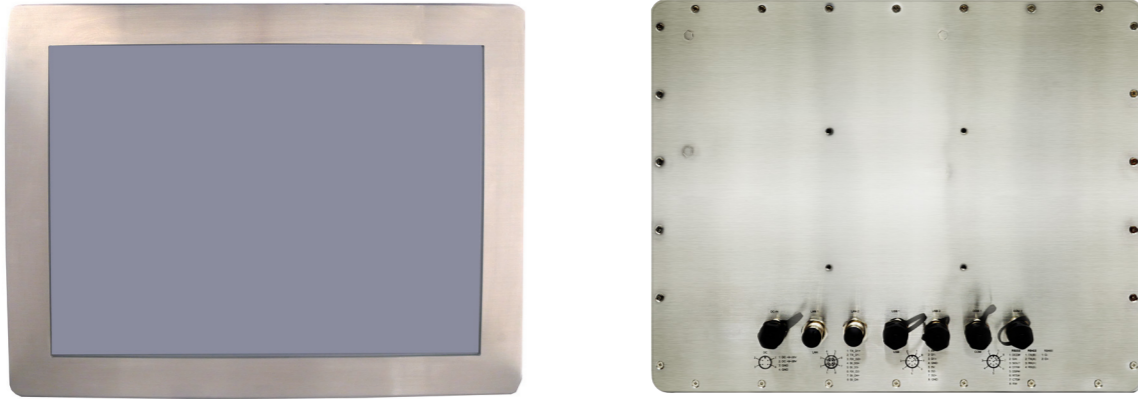
All models of standard series have IP65-rated water/dust-proof front bezel. Welcome to use Jetway Standard Touch Panel PC.

Index

- **HPC150SR-SF1900B.....64-65**
- **HPC-104BR-2930-4G.....66-67**
- **HPC-121SC-2930-4G.....68-69**
- **HPC-150BR-2930-4G.....70-71**
- **HPC-170BR-2930-4G.....72-73**

1. Overall IP67-rated compliant
2. M12-type connectors
3. SUS316 Stainless Steel
4. Easy to clean
5. Suitable for food and medical industry

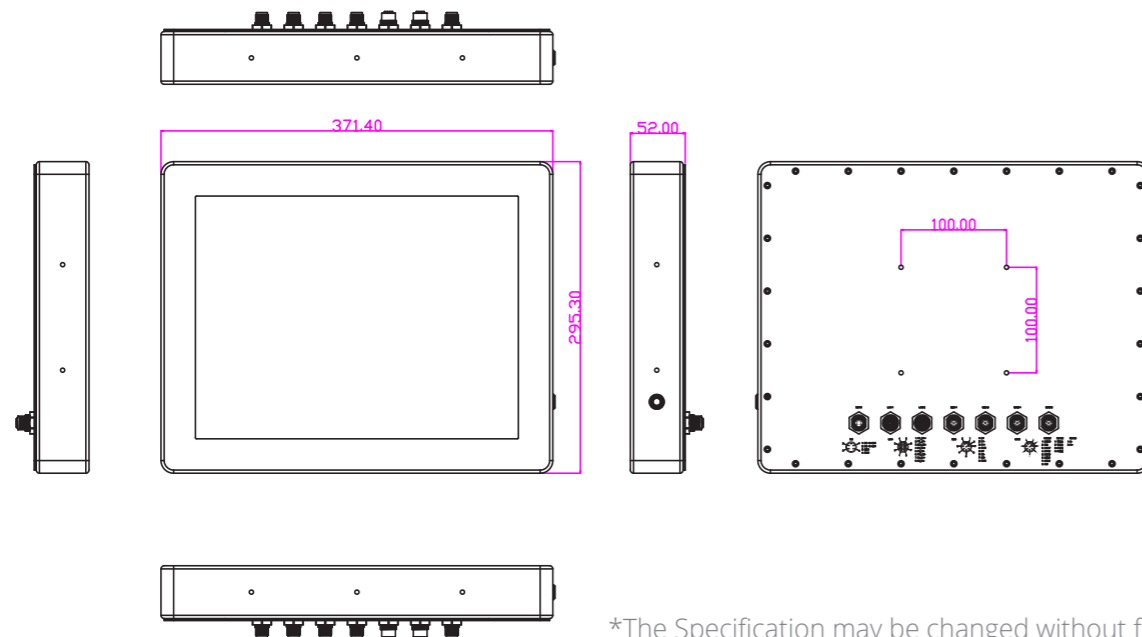
HPC150SR-SF1900B



Features

- 15.0" 450 nits high brightness TFT LCD with LED backlight
- Onboard Intel® Bay Trail-D J1900 2.0GHz Quad Cores CPU
- Onboard 4G/1333MHz DDR3L Memory
- Support Intel® Gigabit LAN, Support 2* COM (RS232/422/485)
- Support 4* USB 2.0 1* SATA HDD, 1* M.2 connector, 1* Mini PCI-E
- Support 9~28V wide voltage input
- Support TPM2.0 (HPC150SR-SF19BT2 only)
- Overall IP67-rated

Mechanical Dimension (Unit: mm)



*The Specification may be changed without further notice.
www.jetwayipc.com

Specifications

HPC150SR-SF1900B

Display

Front Bezel	Overall IP67, NEMA 4 rugged protection
Display Type	15.0" With LED Backlight
Brightness (cd/m ²)	450 nits
Display Color	262K
Resolution	1024 x768 @ 60Hz
Viewing Angle (H/V)	160°/150°
Pixel Pitch	0.297 x 0.297 mm
Aspect Ratio	4:3
Contrast Ratio	800:1
Response Time	5.7 ms

Touch Screen

Type	5 wires analog resistive type
Active Range	304.10 x 228.10mm ±0.2mm
Transparency	80 ±3%
Surface Hardness	≥ 3H (ASTM D3363, pressure 750g/45°)
Operating Force	≤ 80g
Knock test	10,000,000 times keystrokes

Main System

CPU	Intel® Bay Trail-D J1900 2.0GHz/QC
RAM	4G 1333MHz DDR3L DRAM
BIOS	64MB SPI Flash ROM
Storage	1* SATA 1* M.2 (2242/2260/2280)
Speaker	2* 3W/8Ω
Watchdog Timer	255 levels, 0~255 sec.
OS Support	Windows 7 / 8.1 / 10 / Linux

Power

Power Input	100~240V AC-DC 60W 9~28V DC with over current protection fuse
Consumption	25W

Dimensions

Case Dimensions	371.40 * 295.30 * 52.00mm
-----------------	---------------------------

Certifications

Certifications	CE, FCC, IP67
----------------	---------------

I/O Connector

I/O Ports and Switches	4* USB 2.0, 1* GbE, 2* RS232/422/485 COM, 1* 9~28V DC input Jack, 1* Power button
------------------------	--

Environment

Temperature	Operating: -10°C ~ +60°C Storage: -20°C ~ +70°C
Shock	15G, 11ms duration
Vibration	5~500Hz/1Grms

Expansion

Interface	/
-----------	---

*The Specification may be changed without further notice.
www.jetwayipc.com

1. Fanless and cable-free design
2. High brightness
3. Suitable for harsh environment
4. Aluminum front panel frame, excellent back aluminum heat sink design
5. Support VESA wall mount, easy to assemble

HPC-104BR-2930-4G

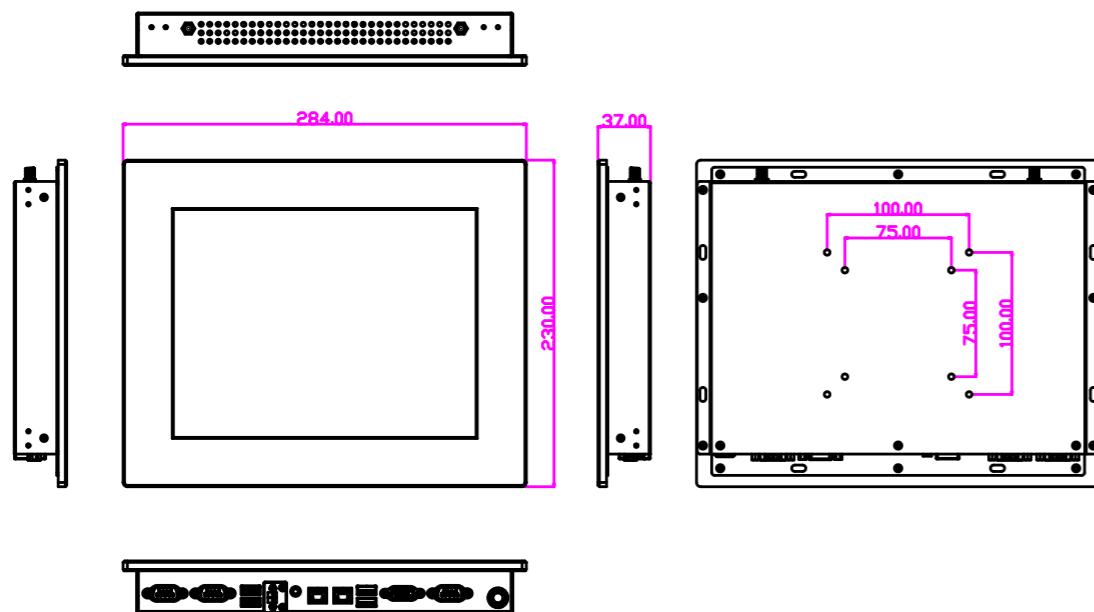


Features

- 10.4" 230 nits high brightness TFT LCD with LED backlight
- 5 wires analog resistive type Touch
- Onboard Intel® Bay Trail-M N2930 1.83GHz Quad Cores CPU
- Onboard 4G/1333MHz DDR3L Memory
- Support Dual Intel® Gigabit LAN, 3* COM (COM2/COM3 Support RS422/485)
- Support 2.5" SATA HDD, 1* mSATA Socket, 1* Mini PCI-E Socket,
- Support 4G SIM Card, 1* 802.11 ac+ BT 4.0 installed in WIFI model
- IP65-rated front bezel



Mechanical Dimension (Unit: mm)



*The Specification may be changed without further notice.
www.jetwayipc.com

Specifications

HPC-104BR-2930-4G

Display

Front Bezel	IP65, NEMA 4 rugged protection, metal front bezel
Display Type	10.4" With LED Backlight
Brightness (cd/m ²)	230 nits
Display Color	262K
Resolution	800 x 600 @ 60Hz
Viewing Angle (H/V)	160°/130°
Pixel Pitch	0.264 x 0.264 mm
Aspect Ratio	4:3
Contrast Ratio	500:1
Response Time	20 ms

Touch Screen

Type	5 wires analog resistive type
Active Range	211.58 x 158.75mm ±0.2mm
Transparency	80 ±3%
Surface Hardness	≥ 3H (ASTM D3363, pressure 750g/45°)
Operating Force	≤ 80g
Knock test	10,000,000 times keystrokes

Main System

CPU	Intel® Bay Trail-M N2930 1.83GHz/QC
RAM	4G 1333MHz DDR3L DRAM
BIOS	64MB SPI Flash ROM
Storage	1* 2.5" SATA HDD (SATA-2) 1* mSATA connector
Speaker	/
Watchdog Timer	255 levels, 0~255 sec.
OS Support	Windows 7 / 8.1 / 10 / Linux

Power

Power Input	100~240V AC-DC 60W 9~24V DC
-------------	--------------------------------

Consumption	23W
-------------	-----

Dimensions

Case Dimensions	284.0 * 230.0 * 37.0mm
-----------------	------------------------

Certifications

Certifications	CE, FCC, IP65 (Front)
----------------	-----------------------

I/O Connector

I/O Ports and Switches	1* USB3.0, 3* USB2.0, 1* RS232, 2* RS232/422/485, 1* VGA, 2* GbE, 1* Line-out, 1* Euro terminal block, 9~24V DC-in
------------------------	---

Environment

Temperature	Operating: -10°C ~ +60°C Storage: -20°C ~ +70°C
Shock	15G, 11ms
Vibration	5~500Hz/1 Grms

Expansion

Interface	1* Mini PCIe slot for WIFI or 3G/4G
-----------	-------------------------------------

*The Specification may be changed without further notice.
www.jetwayipc.com

1. Fanless and cable-free design
2. High brightness
3. Suitable for harsh environment
4. Aluminum front panel frame, excellent back aluminum heat sink design
5. Support VESA wall mount, easy to assemble

HPC-121SC-2930-4G

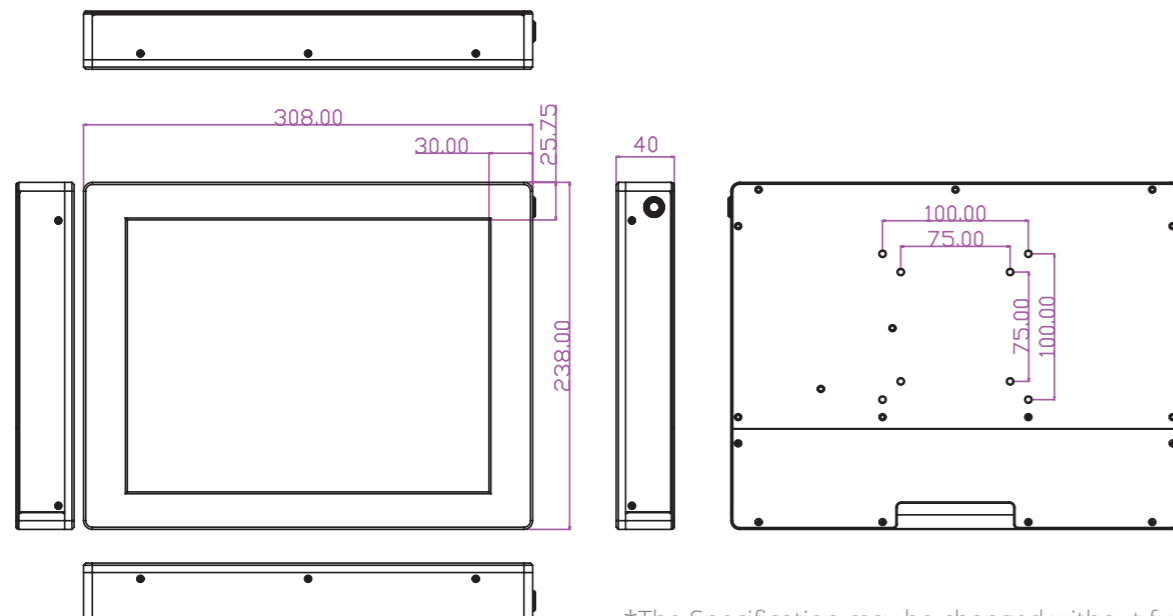


Features

- 12.1" 450 nits high brightness TFT LCD with LED backlight
- Onboard Intel® Bay Trail-M N2930 1.83GHz Quad Cores CPU
- Onboard 4G/1333MHz DDR3L Memory
- Support Dual Intel® Gigabit LAN, 3* COM (COM2/COM3 Support RS422/485)
- Support 2.5" SATA HDD, 1* mSATA Socket
- 1* Mini PCI-E Socket, Support 4G SIM Card
- IP65-rated front bezel



Mechanical Dimension (Unit: mm)



*The Specification may be changed without further notice.
www.jetwayipc.com

Specifications

Display

Front Bezel	IP65, NEMA 4 rugged protection, metal front bezel
Display Type	12.1" With LED Backlight
Brightness (cd/m ²)	450 nits
Display Color	262K
Resolution	1024 x768 @ 60Hz
Viewing Angle (H/V)	160°/160°
Pixel Pitch	0.24 x 0.24 mm
Aspect Ratio	4:3
Contrast Ratio	700:1
Response Time	8 ms

Touch Screen

Type	Projective capacitive type
Active Range	290.0 x 220.5mm ±0.3mm
Transparency	85 ±5%
Surface Hardness	≥ 6H (ASTM D3363, pressure 1N/45°)
Operating Force	≤ 10g
Knock test	/

Main System

CPU	Intel® Bay Trail-M N2930 1.83GHz/ QC
RAM	4G 1333MHz DDR3L DRAM
BIOS	64MB SPI Flash ROM
Storage	1* 2.5" SATA HDD (SATA-2) 1* mSATA connector
Speaker	/
Watchdog Timer	255 levels, 0~255 sec.
OS Support	Windows 7 / 8.1 / 10 / Linux

Power

Power Input	100~240V AC-DC 60W 9~24V DC
-------------	--------------------------------

Consumption	27W
-------------	-----

Dimensions

Case Dimensions	308.0 * 238.0 * 40.0mm
-----------------	------------------------

Certifications

Certifications	CE, FCC, IP65 (Front)
----------------	-----------------------

I/O Connector

I/O Ports and Switches	1* USB3.0, 3* USB2.0, 1* RS232, 2* RS232/422/485, 1* VGA 2* GbE, 1* Line-out 1* Euro terminal block 9~24V DC-in
------------------------	--

Environment

Temperature	Operating: -10°C ~ +60°C Storage: -20°C ~ +70°C
Shock	15G, 11ms
Vibration	5~500Hz/1 Grms

Expansion

Interface	1* Mini PCIe slot for WIFI or 3G/4G
-----------	-------------------------------------

*The Specification may be changed without further notice.
www.jetwayipc.com

1. Fanless and cable-free design
2. High brightness
3. Suitable for harsh environment
4. Aluminum front panel frame, excellent back aluminum heat sink design
5. Support VESA wall mount, easy to assemble

HPC-150BR-2930-4G

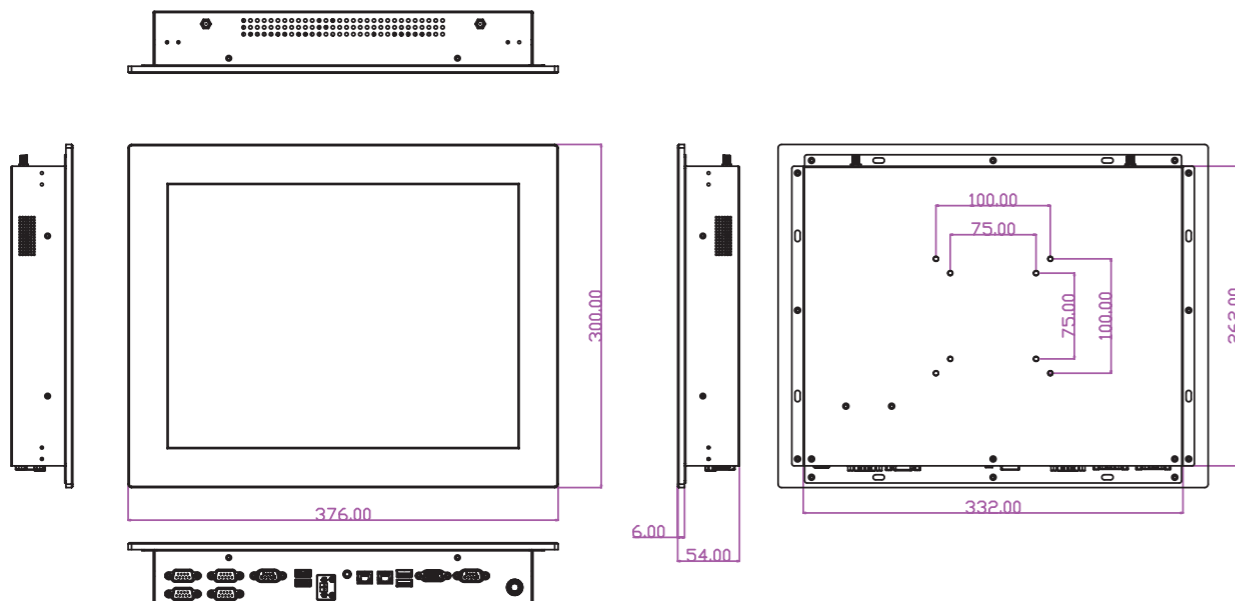


Features

- 15.0" 350 nits high brightness TFT LCD with LED backlight
- Onboard Intel® Bay Trail-M N2930 1.83GHz Quad Cores CPU
- Onboard 4G/1333MHz DDR3L Memory
- Support Dual Intel® Gigabit LAN, 6* COM (COM2/COM3 Support RS422/485)
- Support 2.5" SATA HDD, 1* mSATA, 1* Mini PCI-E, Support 4G SIM Card, 1* 802.11 ac+ BT 4.0 installed in WIFI model
- Support wide voltage 9~24V DC input
- IP65-rated front bezel



Mechanical Dimension (Unit: mm)



*The Specification may be changed without further notice.
www.jetwayipc.com

Specifications

HPC-150BR-2930-4G

Display

Front Bezel	IP65, NEMA 4 rugged protection, metal front bezel
Display Type	15.0" With LED Backlight
Brightness (cd/m ²)	350 nits
Display Color	262K
Resolution	1024 x 768 @ 60Hz
Viewing Angle (H/V)	170°/160°
Pixel Pitch	0.297 x 0.297 mm
Aspect Ratio	4:3
Contrast Ratio	700:1
Response Time	5.7 ms

Touch Screen

Type	5 wires analog resistive type
Active Range	304.10 x 228.10mm ±0.2mm
Transparency	80 ±3%
Surface Hardness	≥ 3H (ASTM D3363, pressure 750g/45°)
Operating Force	≤ 80g
Knock test	10,000,000 times keystrokes

Main System

CPU	Intel® Bay Trail-M N2930 1.83GHz/ QC
RAM	4G 1333MHz DDR3L DRAM
BIOS	64MB SPI Flash ROM
Storage	1* 2.5" SATA HDD (SATA-2) 1* mSATA connector
Speaker	/
Watchdog Timer	255 levels, 0~255 sec.
OS Support	Windows 7 / 8.1 / 10 / Linux

Power

Power Input	100~240V AC-DC 60W 9~24V DC
-------------	--------------------------------

Consumption	32.58W
-------------	--------

Dimensions

Case Dimensions	376.0 * 300.0 * 54.0mm
-----------------	------------------------

Certifications

Certifications	CE, FCC, IP65 (Front)
----------------	-----------------------

I/O Connector

I/O Ports and Switches	1* USB3.0, 3* USB2.0, 4* RS232, 2* RS232/422/485, 1* VGA, 2* GbE, 1* Line-out, 1* Euro terminal block 9~24V DC-in
------------------------	---

Environment

Temperature	Operating: -10°C ~ +60°C Storage: -20°C ~ +70°C
Shock	15G, 11ms
Vibration	5~500Hz/1Grms

Expansion

Interface	1* Mini PCIe slot for WIFI or 3G/4G
-----------	-------------------------------------

*The Specification may be changed without further notice.
www.jetwayipc.com

1. Fanless and cable-free design
2. High brightness
3. Suitable for harsh environment
4. Aluminum front panel frame, excellent back aluminum heat sink design
5. Support VESA wall mount, easy to assemble

HPC-170BR-2930-4G

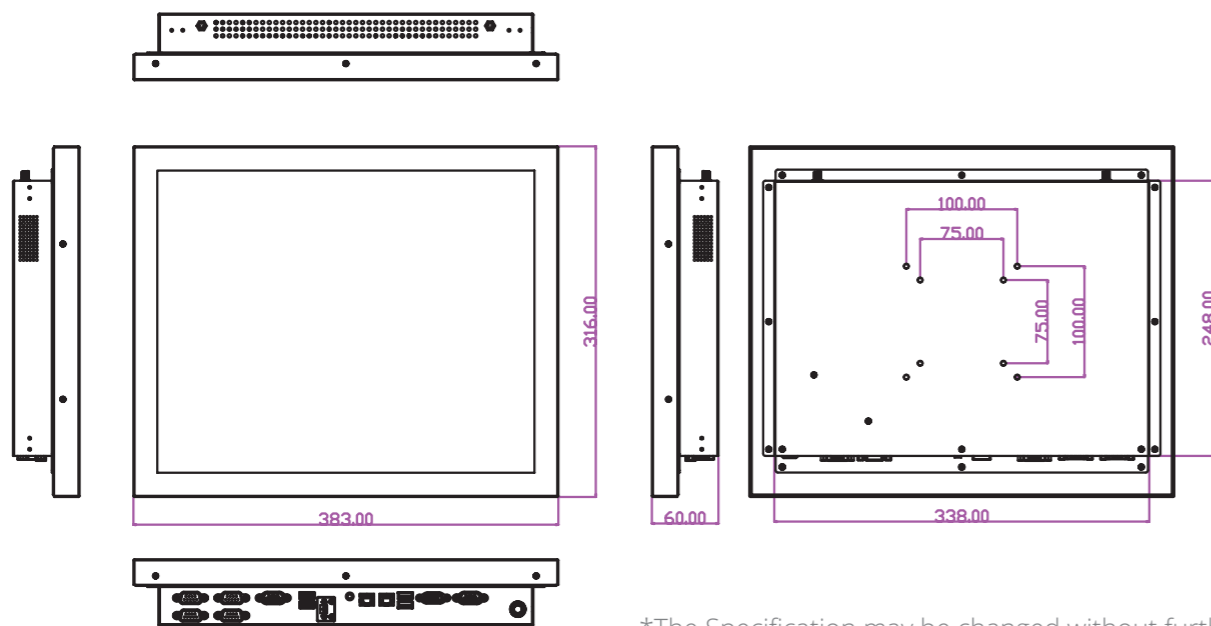


Features

- 17.0" 350 nits high brightness TFT LCD with LED backlight
- Onboard Intel® Bay Trail-M N2930 1.83GHz Quad Cores CPU
- Onboard 4G/1333MHz DDR3L Memory
- Support Dual Intel® Gigabit LAN, 6* COM (COM2/COM3 Support RS422/485)
- Support 2.5" SATA HDD, 1* mSATA Socket, 1* Mini PCI-E Socket, Support 4G SIM Card
- Support 1* 802.11 ac+ BT 4.0 installed in WIFI model
- Support wide voltage 9~24V DC input
- IP65-rated front bezel



Mechanical Dimension (Unit: mm)



*The Specification may be changed without further notice.
www.jetwayipc.com

Specifications

HPC-170BR-2930-4G

Display

Front Bezel	IP65, NEMA 4 rugged protection, metal front bezel
Display Type	17.0" With LED Backlight
Brightness (cd/m ²)	350 nits
Display Color	16.7M
Resolution	1280 x 1024 @ 60Hz
Viewing Angle (H/V)	170°/160°
Pixel Pitch	0.264 x 0.264 mm
Aspect Ratio	4:3
Contrast Ratio	1000:1
Response Time	3.5 ms

Touch Screen

Type	5 wires analog resistive type
Active Range	337.00 x 269.50mm ±0.2mm
Transparency	80 ±3%
Surface Hardness	≥ 3H (ASTM D3363, pressure 750g/45°)
Operating Force	≤ 80g
Knock test	10,000,000 times keystrokes

Main System

CPU	Intel® Bay Trail-M N2930 1.83GHz/ QC
RAM	4G 1333MHz DDR3L DRAM
BIOS	64MB SPI Flash ROM
Storage	1* 2.5" SATA HDD (SATA-2) 1* mSATA connector
Speaker	/
Watchdog Timer	255 levels, 0~255 sec.
OS Support	Windows 7 / 8.1 / 10 / Linux

Power

Power Input	100~240V AC-DC 60W 9~24V DC
-------------	--------------------------------

Consumption	34.5W
-------------	-------

Dimensions

Case Dimensions	383.0 * 316.0 * 60.0mm
-----------------	------------------------

Certifications

Certifications	CE, FCC, IP65 (Front)
----------------	-----------------------

I/O Connector

I/O Ports and Switches	1* USB3.0, 3* USB2.0, 4* RS232, 2* RS232/422/485, 2* GbE, 1* VGA, 1* Line-out, 1* Euro terminal block, 9~24V DC-in
------------------------	--

Environment

Temperature	Operating: -10°C ~ +60°C Storage: -20°C ~ +70°C
Shock	15G, 11ms
Vibration	5~500Hz/1Grms

Expansion

Interface	1* Mini PCIe slot for WIFI or 3G/4G
-----------	-------------------------------------

*The Specification may be changed without further notice.
www.jetwayipc.com

ARM-Based Fanless Touch Panel PC Benefit & Application

Following the technology and design of x86 Panel PC, Jetway is phasing in a new Panel PC series based on ARM platform from Rockchip®. This series will provide various selections and help you choose the best solutions for your specific requirements in tough conditions and environments.

The Jetway Panel PCs feature the best-in-class of a Quad-core ARM Cortex RK3288 from Rockchip®, which is fully developed and highly stable for a long-term industrial use in a relatively closed environment to provide high performance and low power computing. For software, it comes with Android or Linux Debian OS as an option, not only to provide outstanding performance but energy efficiency for a specific and simplified task.

The Jetway ARM-based Panel PC is equipped with Industrial Grade IP65 front panel and Projected Capacitive Touch screen to ensure normal operation for outdoor and in extreme environments, such as machinery workshop and auto body shop.

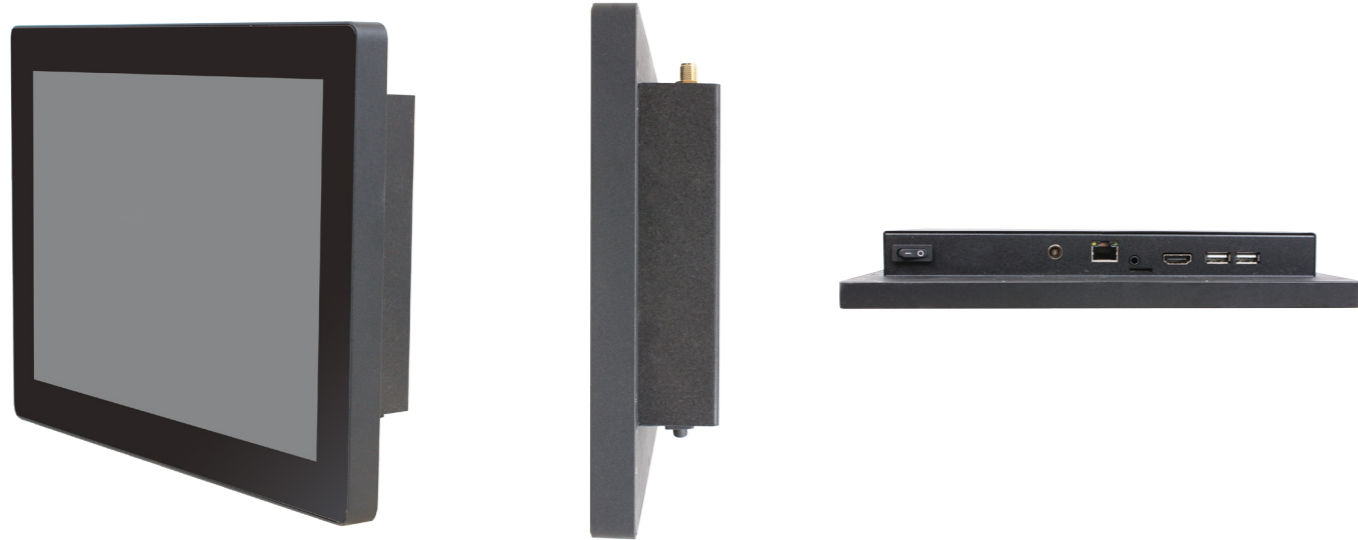
Moreover, the Jetway ARM-based Touch Panel PC offers a RJ-45 PoE-In as an alternative power option to help your cable management and avoid a messy hassle. It is the best user experience for industrial applications to have both data and power covered in a single cable.

Index

- **HPC-WV101.....76-77**
- **HPC-WV133.....78-79**
- **HPC-101 Series.....80-81**
- **HPC-133 Series.....82-83**

1. Projected capacitive type touch panel
2. Rockchip® ARM Cortex RK3288 Quad Cores Processor
3. Support Android 5.1/9.0, or Debian 9.0
4. IP65-rated front bezel

HPC-WV101

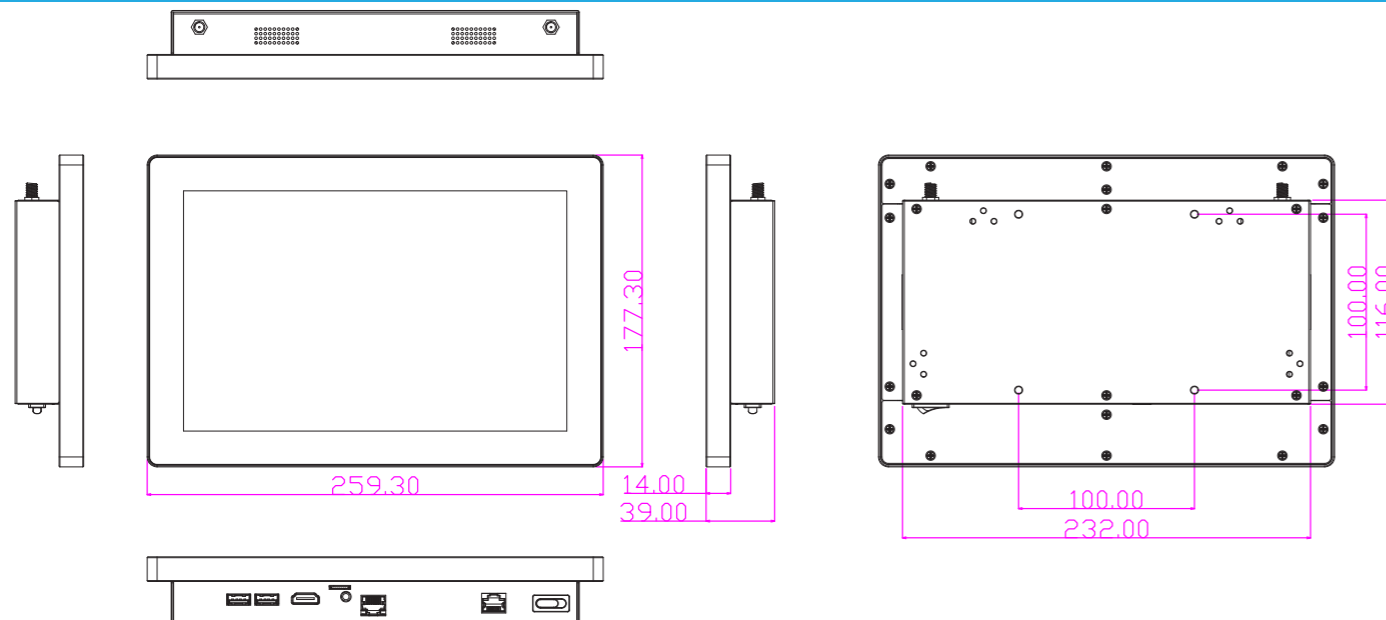


Features

- 10.1" 350 nits high brightness TFT LCD with LED backlight
- Rockchip® ARM Cortex RK3288 1.8GHz Quad Cores CPU
- Onboard 2G/1333MHz DDR3L
- Onboard 8G Flash ROM
- Support 2* USB2.0 (USB1 Co-lay OTG), 1* HDMI, 1* GbE
- Support Android 5.1/9.0, or Debian 9.0
- Support 9~36V DC-in
- IP65-rated front bezel



Mechanical Dimension (Unit: mm)



*The Specification may be changed without further notice.
www.jetwayipc.com

Display

Front Bezel	IP65, NEMA 4 rugged protection, metal front bezel
Display Type	10.1" With LED Backlight
Brightness (cd/m ²)	350 nits
Display Color	262K
Resolution	1280 x 800 @ 60Hz
Viewing Angle (H/V)	160°/160°
Pixel Pitch	0.1695 x 0.1695 mm
Aspect Ratio	16:10
Contrast Ratio	600:1
Response Time	25 ms

Touch Screen

Type	Projective capacitive type
Active Range	257.10 x 159.66mm ±0.2mm
Transparency	≥ 87%
Surface Hardness	≥ 6H (ASTM D3363, pressure 1N/45°)
Operating Force	≤ 80g
Knock test	/

Main System

CPU	Rockchip® ARM Cortex A17 1.8GHz/ QC
RAM	2G DDR3L
BIOS	8G Flash ROM
Storage	/
Speaker	2* 3W/8Ω
Watchdog Timer	256 levels, 0~255 sec.
OS Support	Android 5.1/9.0, or Debian 9.0

Power

Power Input	9~36V
-------------	-------

Consumption	8.5W
-------------	------

Dimensions

Case Dimensions	259.3 * 177.3 * 39.0mm
-----------------	------------------------

Certifications

Certifications	CE, FCC, IP65 (Front)
----------------	-----------------------

I/O Connector

I/O Ports and Switches	2* USB2.0 (USB1 Co-lay OTG), 1* HDMI, 1* Audio, 1* Power Button, 1* Micro SD Socket, 1* GbE, 1* DC Jack
------------------------	---

Environment

Temperature	Operating: -10°C ~ +50°C Storage: -20°C ~ +60°C
Shock	15G, 11ms
Vibration	5~500Hz/1Grms

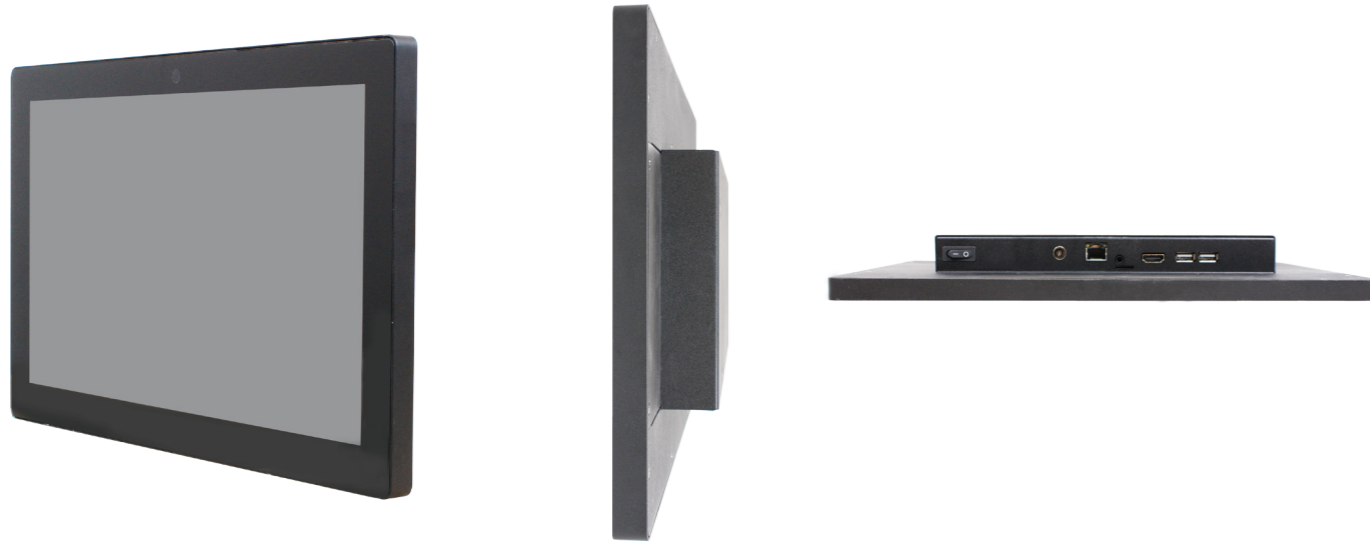
Expansion

Interface	1* Mini PCIe slot for WIFI or 3G/4G
-----------	-------------------------------------

*The Specification may be changed without further notice.
www.jetwayipc.com

1. Projected capacitive type touch panel
2. Rockchip® ARM Cortex RK3288 Quad Cores Processor
3. Support Android 5.1/9.0, or Debian 9.0
4. IP65-rated front bezel

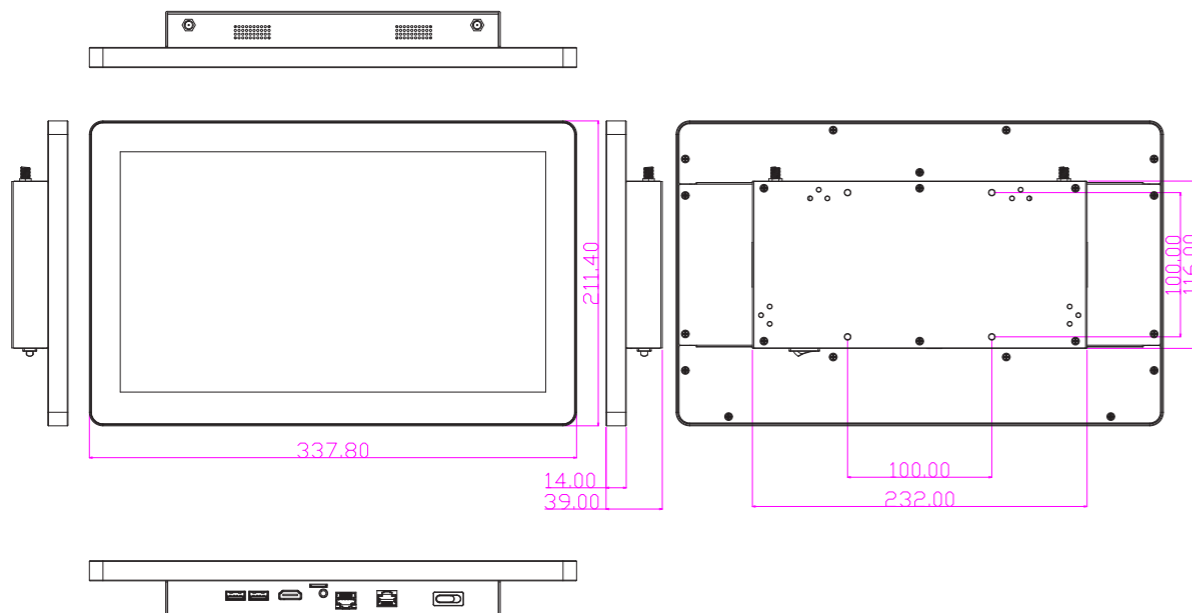
HPC-WV133



Features

- 13.3" 300 nits high brightness TFT LCD with LED backlight
- Rockchip® ARM Cortex RK3288 1.8GHz Quad Cores CPU
- Onboard 2G/1333MHz DDR3L
- Onboard 8G Flash ROM
- Support 2* USB2.0 (USB1 Co-lay OTG), 1* HDMI, 1* GbE
- Support Android 5.1/9.0, or Debian 9.0
- Support 9~36V DC-in
- IP65-rated front bezel

Mechanical Dimension (Unit: mm)



*The Specification may be changed without further notice.
www.jetwayipc.com

Display

Front Bezel	IP65, NEMA 4 rugged protection, metal front bezel
Display Type	13.3" With LED Backlight
Brightness (cd/m²)	300 nits
Display Color	262K
Resolution	1920 x 1080 @ 60Hz
Viewing Angle (H/V)	170°/170°
Pixel Pitch	0.153 x 0.153 mm
Aspect Ratio	16:10
Contrast Ratio	800:1
Response Time	35 ms

Touch Screen

Type	Projective capacitive type
Active Range	355.0 x 197.0mm ±0.3mm
Transparency	≥ 85%
Surface Hardness	≥ 6H (ASTM D3363, pressure 1N/45°)
Operating Force	≤ 50g
Knock test	/

Main System

CPU	Rockchip® ARM Cortex A17 1.8GHz/ QC
RAM	2G DDR3L
BIOS	8G Flash ROM
Storage	/
Speaker	2* 3W/8Ω
Watchdog Timer	256 levels, 0~255 sec.
OS Support	Android 5.1/9.0, or Debian 9.0

Power

Power Input	9~36V
Consumption	12.5W

Dimensions

Case Dimensions	337.8 * 211.4 * 39.0mm
-----------------	------------------------

Certifications

Certifications	CE, FCC, IP65 (Front)
----------------	-----------------------

I/O Connector

I/O Ports and Switches	2* USB2.0 (USB1 Co-lay OTG), 1* HDMI, 1* Audio, 1* Power Button, 1* Micro SD Socket, 1* GbE, 1* DC Jack
------------------------	--

Environment

Temperature	Operating: -10°C ~ +50°C Storage: -20°C ~ +60°C
Shock	15G, 11ms
Vibration	5~500Hz/1Grms

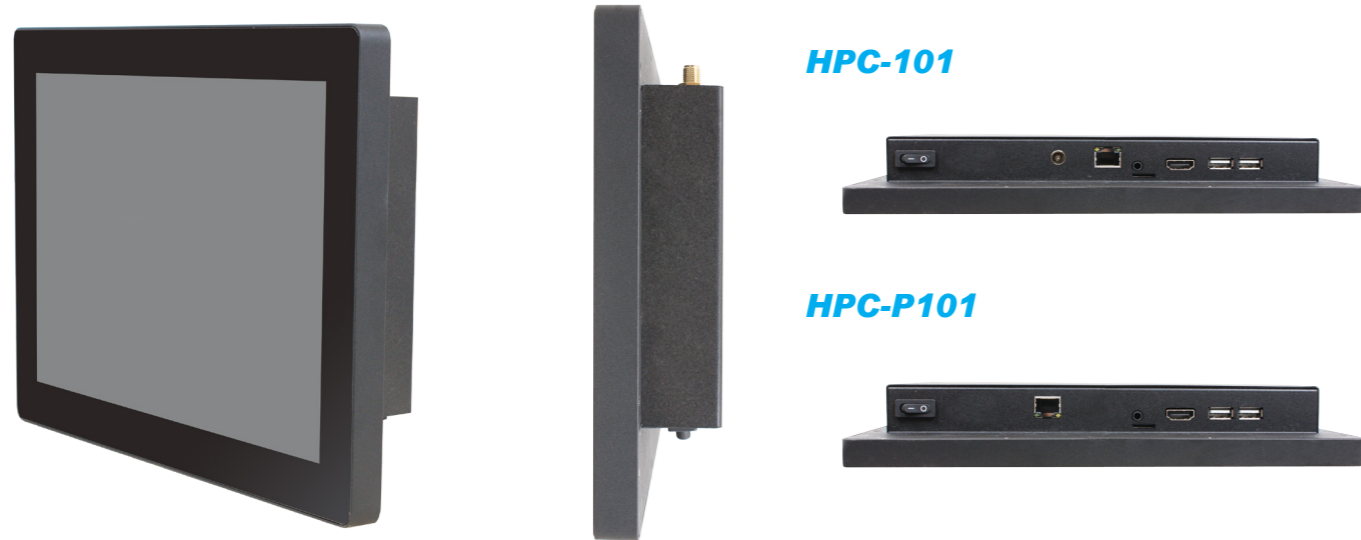
Expansion

Interface	1* Micro SD Socket
-----------	--------------------

*The Specification may be changed without further notice.
www.jetwayipc.com

1. Projected capacitive type touch panel
2. Rockchip® ARM Cortex RK3288 Quad Cores processor
3. Support PoE
4. Support Android 5.1/9.0, or Debian 9.0
5. IP65-rated front bezel

HPC-101 / HPC-P101



HPC-101

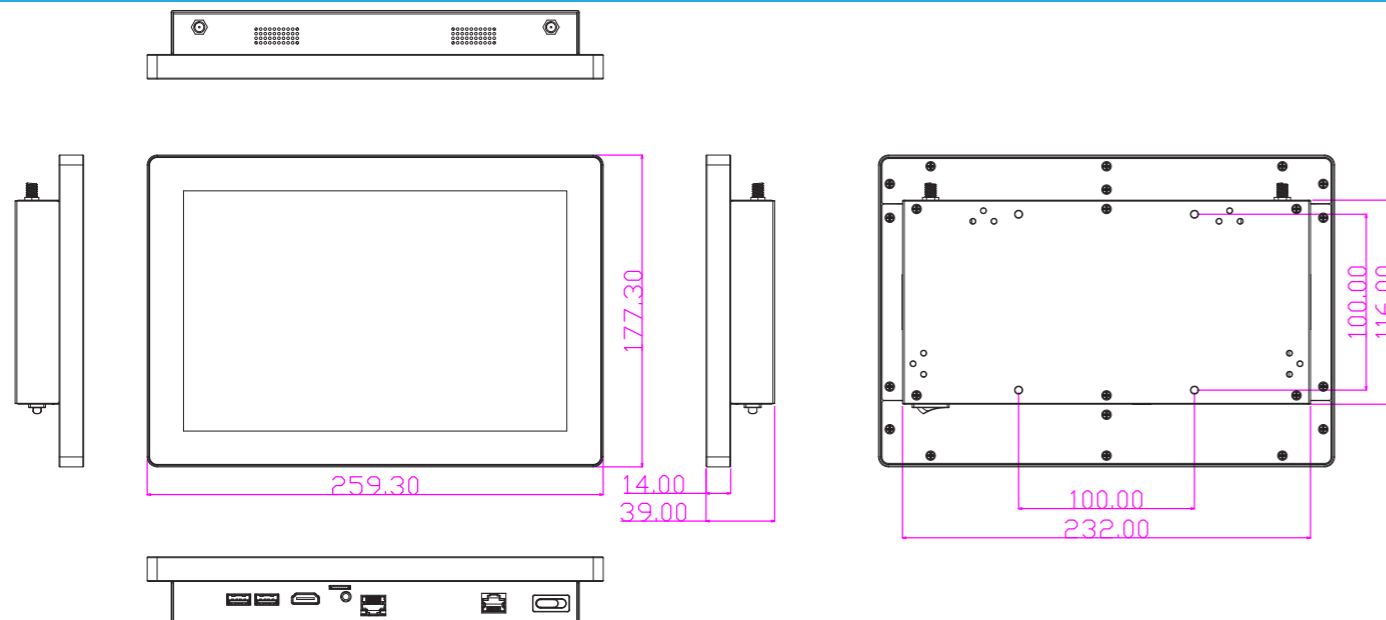
HPC-P101



Features

- 10.1" 350 nits high brightness TFT LCD with LED backlight
- Rockchip® ARM Cortex RK3288 1.8GHz Quad Cores CPU
- Onboard 2G/1333MHz DDR3L
- Onboard 8G Flash ROM
- Support 2* USB2.0 (USB1 Co-lay OTG), 1* HDMI, 1* LAN
- HPC-101: Support 12V DC-in
- HPC-P101: Support PoE PD
- Support Android 5.1/9.0, or Debian 9.0
- IP65-rated front bezel

Mechanical Dimension (Unit: mm)



*The Specification may be changed without further notice.
www.jetwayipc.com

Display

Front Bezel	IP65, NEMA 4 rugged protection, metal front bezel
Display Type	10.1" With LED Backlight
Brightness (cd/m²)	350 nits
Display Color	262K
Resolution	1280 x 800 @ 60Hz
Viewing Angle (H/V)	160°/160°
Pixel Pitch	0.1695 x 0.1695 mm
Aspect Ratio	16:10
Contrast Ratio	600:1
Response Time	25 ms

Touch Screen

Type	Projective capacitive type
Active Range	257.10 x 159.66mm ±0.2mm
Transparency	≥ 87%
Surface Hardness	≥ 6H (ASTM D3363, pressure 1N/45°)
Operating Force	≤ 80g
Knock test	/

Main System

CPU	Rockchip® ARM Cortex A17 1.8GHz/ QC
RAM	2G DDR3L
BIOS	8G Flash ROM
Storage	/
Speaker	2* 3W/8Ω
Watchdog Timer	256 levels, 0~255 sec.
OS Support	Android 5.1/9.0, or Debian 9.0

Power

Power Input	HPC-101: 12V HPC-P101: 44~57V
Consumption	8.5W

Dimensions

Case Dimensions	259.3 * 177.3 * 39.0mm
-----------------	------------------------

Certifications

Certifications	CE, FCC, IP65 (Front)
----------------	-----------------------

I/O Connector

I/O Ports and Switches	2* USB2.0 (USB1 Co-lay OTG), 1* HDMI, 1* Audio, 1* Power Button,
	HPC-101: 1* RJ45, 1* DC Jack
	HPC-P101: 1* PoE PD

Environment

Temperature	Operating: -10°C ~ +50°C Storage: -20°C ~ +60°C
Shock	15G, 11ms
Vibration	5~500Hz/1Grms

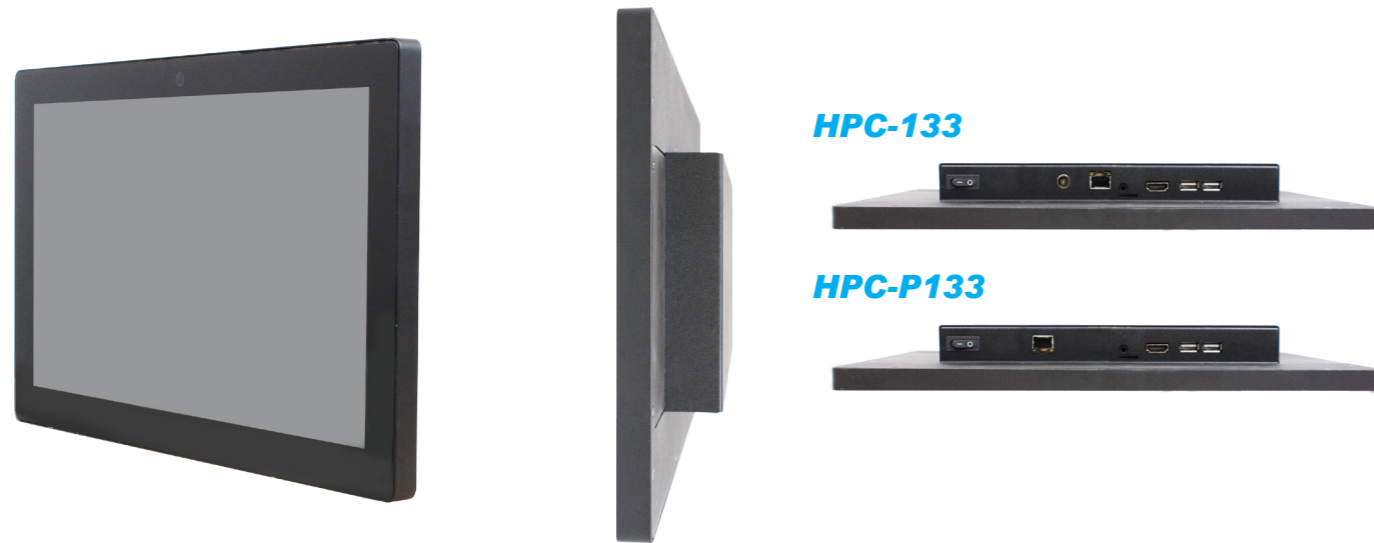
Expansion

Interface	1* Micro SD Socket
-----------	--------------------

*The Specification may be changed without further notice.
www.jetwayipc.com

1. Projected capacitive type touch panel
2. Rockchip® ARM Cortex RK3288 Quad Cores processor
3. Support PoE
4. Support Android 5.1/9.0, or Debian 9.0
5. IP65-rated front bezel

HPC-133 / HPC-P133



HPC-133

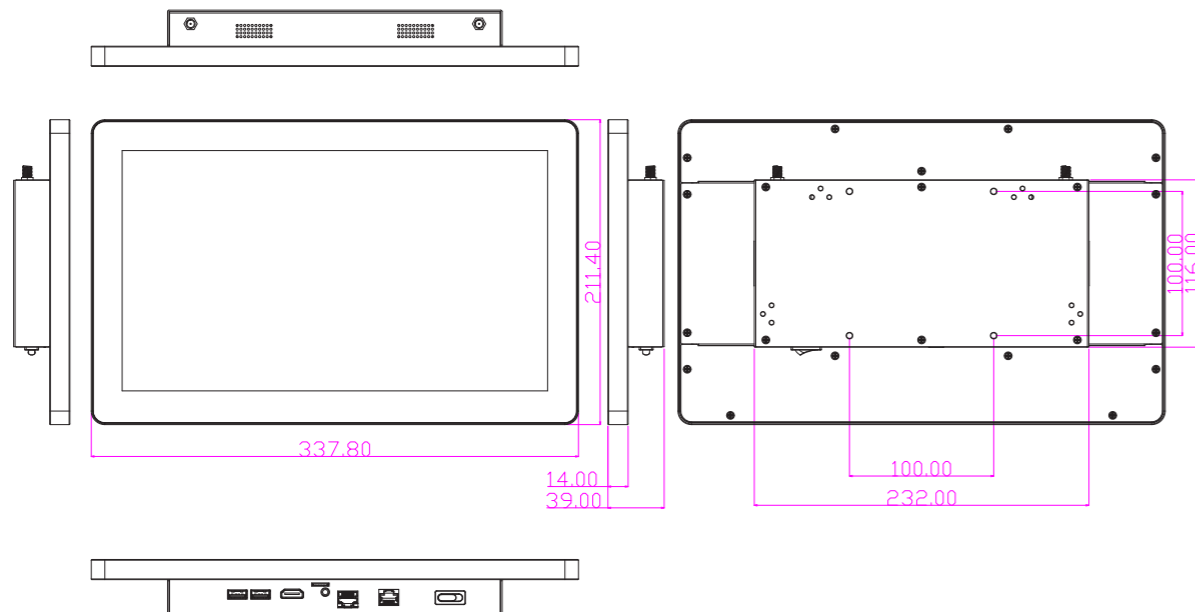
HPC-P133



Features

- 13.3" 300 nits high brightness TFT LCD with LED backlight
- Rockchip® ARM Cortex RK3288 1.8GHz Quad Cores CPU
- Onboard 2G/1333MHz DDR3L
- Onboard 8G Flash ROM
- Support 2* USB2.0 (USB1 Co-lay OTG), 1* HDMI, 1* LAN
- HPC-133: Support 12V DC-in
- HPC-P133: Support PoE PD
- Support Android 5.1/9.0, or Debian 9.0
- IP65-rated front bezel

Mechanical Dimension (Unit: mm)



*The Specification may be changed without further notice.
www.jetwayipc.com

Display

Front Bezel	IP65, NEMA 4 rugged protection, metal front bezel
Display Type	13.3" With LED Backlight
Brightness (cd/m ²)	300 nits
Display Color	262K
Resolution	1920 x 1080 @ 60Hz
Viewing Angle (H/V)	170°/170°
Pixel Pitch	0.153 x 0.153 mm
Aspect Ratio	16:10
Contrast Ratio	800:1
Response Time	35 ms

Touch Screen

Type	Projective capacitive type
Active Range	355.0 x 197.0mm ±0.3mm
Transparency	≥ 85%
Surface Hardness	≥ 6H (ASTM D3363, pressure 1N/45°)
Operating Force	≤ 50g
Knock test	/

Main System

CPU	Rockchip® ARM Cortex A17 1.8GHz/ QC
RAM	2G DDR3L
BIOS	8G Flash ROM
Storage	/
Speaker	2* 3W/8Ω
Watchdog Timer	256 levels, 0~255 sec.
OS Support	Android 5.1/9.0, or Debian 9.0

Power

Power Input	HPC-133: 12V HPC-P133: 44~57V
Consumption	12.5W

Dimensions

Case Dimensions	337.8 * 211.4 * 39.0mm
-----------------	------------------------

Certifications

Certifications	CE, FCC, IP65 (Front)
----------------	-----------------------

I/O Connector

I/O Ports and Switches	2* USB2.0 (USB1 Co-lay OTG), 1* HDMI, 1* Audio, 1* Power Button
	HPC-133: 1* RJ45, 1* DC Jack HPC-P133: 1* PoE PD

Environment

Temperature	Operating: -10°C ~ +50°C Storage: -20°C ~ +60°C
Shock	15G, 11ms
Vibration	5~500Hz/1Grms

Expansion

Interface	1* Micro SD Socket
-----------	--------------------

*The Specification may be changed without further notice.
www.jetwayipc.com



捷波資訊股份有限公司
JETWAY INFORMATION CO., LTD.



捷波資訊股份有限公司
JETWAY INFORMATION CO., LTD.



Taiwan (Taipei)

9F., No. 207, Sec. 3, Beixin Rd.,
Xindian Dist., New Taipei City, 23143,
Taiwan (R.O.C)
Tel: +886-2-89132711
Fax: +886-2-89132722

China (Dongguan)

No. 605, 8th Commercial Office Building,
Vanke Center, Changqing South Road,
Changan, Dongguan City, 523850, China
Tel: +86-769-2101-8010
Mobile : +86-138-2880-2876

Factory (Fujian)

North Industrial Park, Changshan Economic
Development Zone, Yunxiao County,
Zhangzhou, Fujian Provice 363307, China
Tel: +86-596-8625168

All brand names and products are registered trademarks of their respective companies.



Z-A128-F