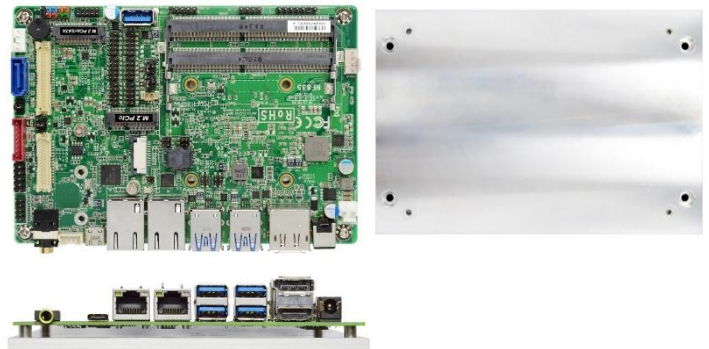


JNF835A-8365U

Intel® Whiskey Lake-U Series SoC Processor, Support DDR4 up to 32GB, Multiple COM port, Type C USB3.1(Gen2), Dual LAN, Support Intel CNVi, without Audio version

1. Intel® Whiskey Lake-U SoC Processor (TDP 15W)
2. 2* DDR4 2400MHz SO-DIMM up to 32GB
3. 2* 10/100/1000 Base-TX Ethernet Ports
4. 1* HDMI, 1* DP, 1* eDP, 1 * 24-bits Dual CH LVDS
5. 6* COM (COM1 support RS232/422/485),
4* USB3.1 Gen.2, 2* USB3.1 Gen.2 (Type C & Vertical type) & 3* USB2.0
6. 1* M.2 M-key (2242/2260/2280) support NVMe,
1* M.2 E-key (2230 w/ CNVi)
7. 1* SATA III (6Gb/s)
8. Support onboard TPM 2.0 (option)



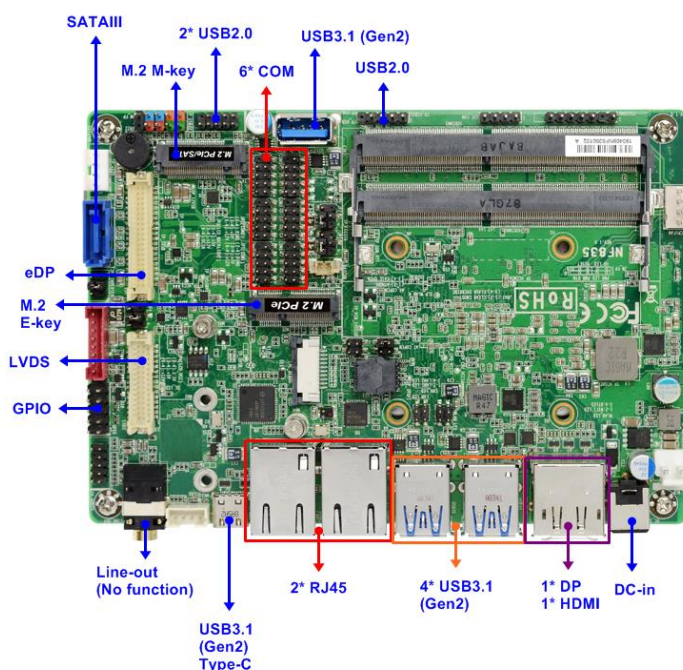
Overview

The JETWAY JNF835 is 3.5" form factor board adopts the Intel® Whiskey Lake-U SoC Processors. The board supports two SO-DIMM DDR4 2400Mhz memory, up to 32GB. Featuring the integrated Intel® Gigabit Ethernet controller, the JNF835 offers two 10/100/1000Base-TX Ethernet devices for network transmission. One SATAIII (6Gb/s) interface and one M.2 M-key offer storage devices. One four USB3.1 Gen.2 ports, two USB3.1 Gen.2 ports for Type C and Internal Vertical connector, three USB2.0 ports and six COM ports provide versatile expansion. The M.2 E-key can support WIFI/3G/4G and Intel CNVi interface. The JNF835 offers one HDMI1.4 port, one DP1.4 port, one eDP port and one 24-bits Dual CH LVDS which can support 3 independent displays. Because of the above features, JNF835 is suitable for Digital Signage, Industrial PCs, Factory Automation, IOT Solution applications.

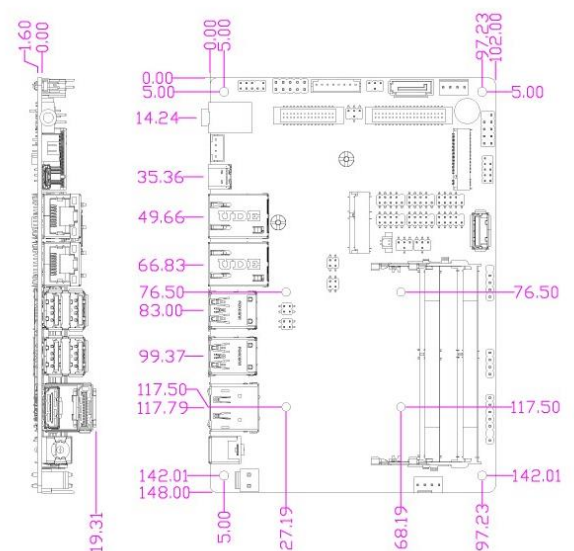
Application

Digital Signage / Industrial PCs / Factory Automation /Retail Solution

I/O Diagram



Mechanical Drawings (Unit = mm)



Specifications

Model	Form Factor
JNF835A-8365U	3.5" (5.8-in * 4.0-in, 148 * 102mm)
Processor System	Expansion Slot
<ul style="list-style-type: none">Intel® Whiskey Lake-U SoC Processor (TDP 15W)AMI Flash ROM BIOS	<ul style="list-style-type: none">M.2 M-key (2242/2260/2280) Support PCIe4(NVMe) & SATA interfaceM.2 E-key (2230) Support CNVi
Memory	Graphics
2* SO-DIMM DDR4 2400MHz Dual CH SDRAM non-ECC up to 32GB	<ul style="list-style-type: none">Intel® HD Graphics, shared memory1* eDP (Max Resolution: 4096x2304@60Hz)1* LVDS (Max Resolution: 1920x1200@60Hz)1* HDMI 1.4 (Max Resolution: 4096x2160@30Hz)1* DP (Max Resolution: 4096x2304@60Hz)Support Triple Displays
Ethernet	Audio
2* Intel GbE (1* i219LM, 1* i211AT)	N/A
SATA	Rear I/O
1* SATAIII	<ul style="list-style-type: none">4* USB3.1(Gen2), 1* USB3.1(Gen2) Type C1* DP1* HDMI2* EthernetLine-Out (No function)DC-IN (9-24V)
Internal Connector	Watchdog Timer
<ul style="list-style-type: none">1* USB3.1 (Gen2) Vertical conn, 3* USB 2.01* PS/21* LVDS / Inverter (selection w/eDP)1* eDP (selection w/LVDS)1* RS232/422/485, 5* RS2321* SATAIII1* GPIO (8 bit)1* Chassis intrusion1* Audio Header (No function)1* SMBUS1* AT modeSupport onboard TPM2.0(option)	<ul style="list-style-type: none">From Super I/O to drag RESETCON#256 segments (10sec ~ 255min)
Power	Compliance
DC-IN 9-24V - AT: Directly PWR on as Power input ready - ATX: Press Button to PWR on after Power input ready	CE, FCC, LVD, RoHS, REACH
Temperature	Warranty
<ul style="list-style-type: none">Operating: 0°C ~ 60°CStorage: -20°C ~ 85°C	2 Years Limited Warranty

* Specifications subject to change without notice, not responsible for typographical errors. Does not include HDD or OS.

Accessories

Parts Number	Description	Parts Number	Description
-----	JNF835A-8365U M/B	G01-PW4PS-2S-323F	SATA Power cable
		G01-SATA3-BL-1F	SATA cable