

AMD™ RYZEN™ V1605B Processor, Support DDR4 2400MHz up to 32GB, Support 4* 4K Display, Support wide voltage for Multiple Manufacturing application.

Features

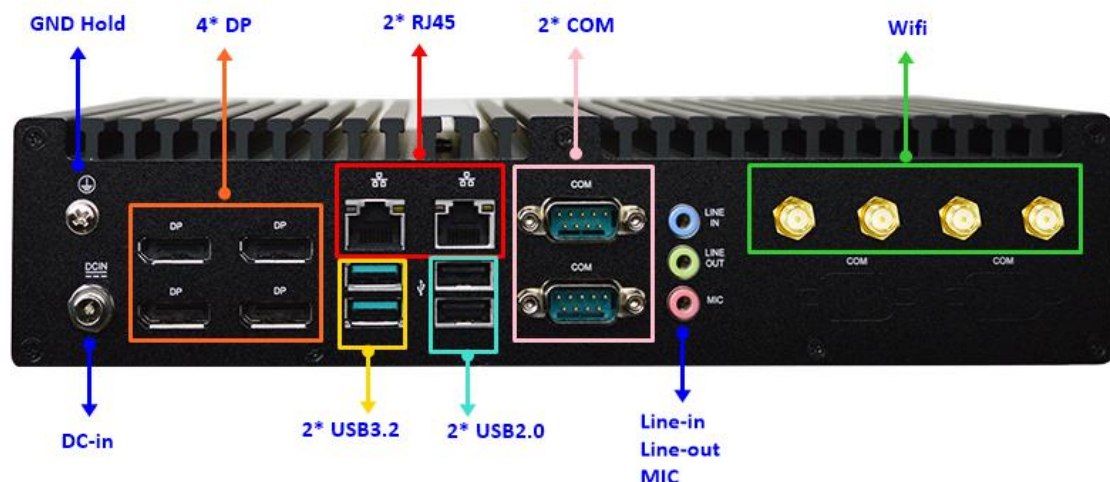
1. AMD™ RYZEN™ V1605B 2.0GHz/QC Core™ Processor
2. 2* DDR4 2400MHz up to 32GB
3. 1* 2.5" SATA, 1* M.2 E-key, 1* M.2 M-key, 1* M.2 B-key
4. Support 4* DP
5. 2* COM (Max : 6* COM), 2 * LAN, 2* USB3.2, 4* USB2.0, 1* Line in, 1* Line out, 1* Mic
6. Mini ITX Form Factor (170 *170 mm)
7. Support TPM2.0 (optional)
8. DC12~28V input



Front I/O



Rear I/O



Specifications

Model	<ul style="list-style-type: none"> • HBJC501I1U-V1605B (non-WiFi) • HBJC501I1UI-V1605B (WiFi)
CPU / Chipset	<ul style="list-style-type: none"> • AMD™ (RYZEN™) Core™ V1000 Series Processor (V1605B, TDP 15W)
BIOS	<ul style="list-style-type: none"> • AMI Flash ROM
Memory	<ul style="list-style-type: none"> • 2* DDR4 2400MHz SO-DIMM up to 32GB
Network	<ul style="list-style-type: none"> • 2* Realtek® RTL8111H GbE
Graphics	<ul style="list-style-type: none"> • AMD™ Vega Core Architecture, shared memory • 4* DP1.4 (Max Resolution: 4096x2160@60Hz or 3840x2160@120Hz)
Storage	<ul style="list-style-type: none"> • 1* 2.5" SATA Device • 1* M.2 M-key (2242/2280, PCIe x2 interface)
Expansion	<ul style="list-style-type: none"> • 1* M.2 E-key (2230) support WiFi/BT module • 1* M.2 B-key (3042/3052) support 4G/5G module
Rear Panel I/O	<ul style="list-style-type: none"> • 2* RJ45 • 4* DP • 1* DC-in (Lockable) • 2* USB3.2 (Gen.1) • 2* USB2.0 • 2* COM (RS232/422/485) • 1* Line-in, 1* Line-out, 1* MIC
Front Panel I/O	<ul style="list-style-type: none"> • 1* Power button + Power LED • 1* HDD LED • 2* USB2.0 • 4* COM (RS232, optional)
Internal Connector	<ul style="list-style-type: none"> • SIM Card Holder (NANO type)
Power Source	<ul style="list-style-type: none"> • Adapter : AC 90~240V input / DC19V_90W output • MB : DC12~28V input
Compliance	<ul style="list-style-type: none"> • CE, FCC, RoHS, ErP Ready
Dimensions	<ul style="list-style-type: none"> • System: 264 (W) x 199.4 (D) x 58 (H) mm
Temperature	<ul style="list-style-type: none"> • Operating Temperature: -20 ~ 60° C (Under the condition of using M.2 interface SSD) • Operating Temperature: 0 ~ 60° C (Under the condition of using 2.5" SATA HDD) (The test environment is closed and windless) • Storage Temperature: -20 ~ 60° C • Humidity: 10% ~ 90% RH @40°C (non-condensing)
OS Support	<ul style="list-style-type: none"> • Windows 11, Linux
Warranty	<ul style="list-style-type: none"> • 2 Years limited warranty

* Specifications subject to change without notice, not responsible for typographical errors. Does not include HDD or OS.

Part Number Rules

