



HBJC390F841S Series

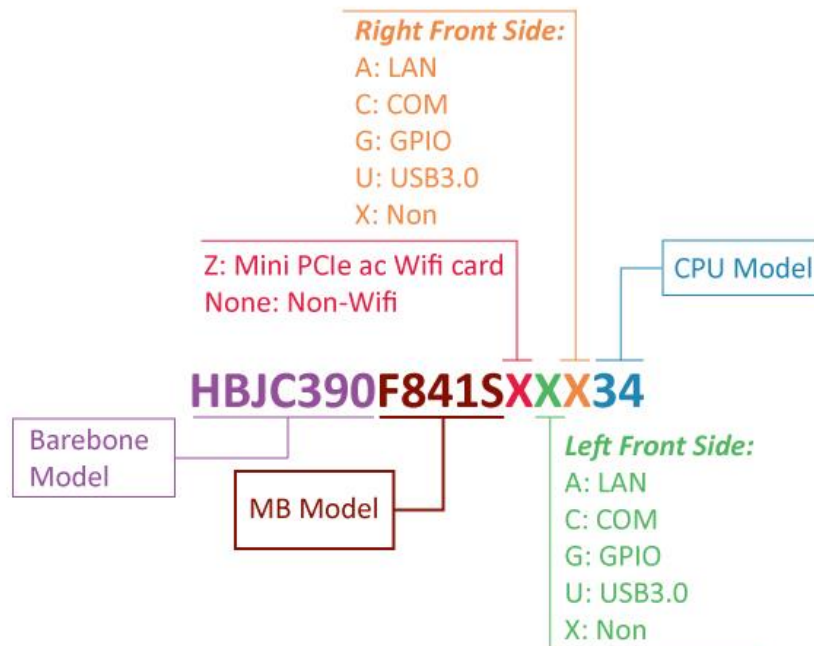
Intel® Apollo Lake SoC Processor, DDR3L 1866MHz up to 8GB



1. Intel® Apollo Lake SoC Processor (J3455)
2. 1 * SO-DIMM DDR3L 1866MHz up to 8GB
3. 4 * USB3.0, 2 * COM, 2 * HDMI, 1 * Audio, 2 * RJ45
4. Product Dimension: 185 x 165 x 48 mm
5. DC-12V_60W Lockable Adapter



Part Number Rule



Specifications

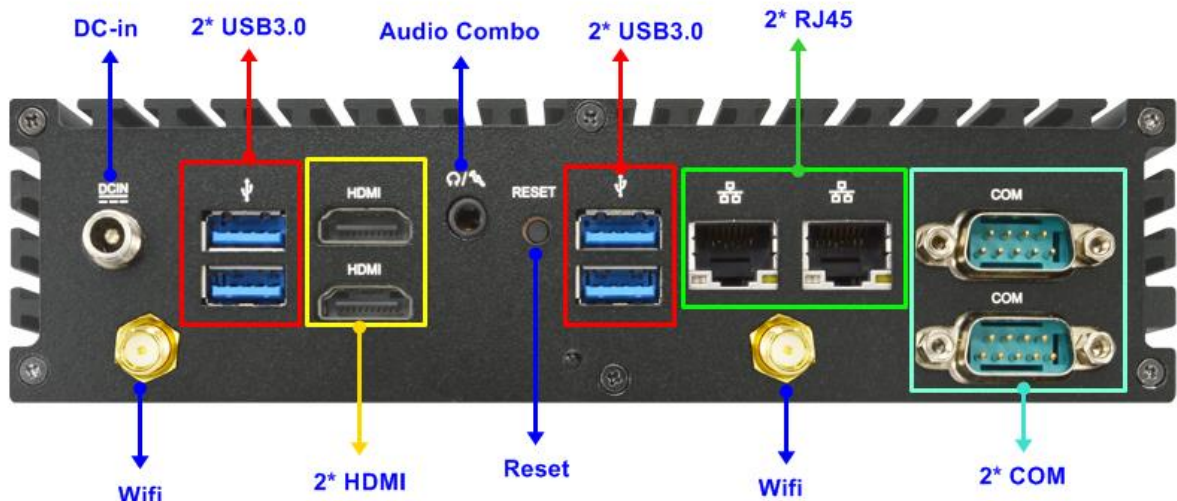
MB Model	JNF841SB-3455		
Part No.	No Expansion	4 LAN	4 COM
		HBJC390F841SXA34B	HBJC390F841SCX34B
	HBJC390F841SXX34B (Default)	8 LAN	8 COM
		HBJC390F841SAA34B	HBJC390F841SCC34B
	16-bits GPIO	32-bits GPIO	4 USB3.0
	HBJC390F841SXG34B	HBJC390F841SGG34B	HBJC390F841SXU34B
	4 COM + 4 LAN	4 COM + 4 USB3.0	4 LAN + 4 USB3.0
	HBJC390F841SCA34B	HBJC390F841SCU34B	HBJC390F841SAU34B
	4 COM + 16-bits GPIO	4 LAN + 16-bits GPIO	16-bits GPIO + 4 USB3.0
	HBJC390F841SCG34B	HBJC390F841SAG34B	HBJC390F841SGU34B
	No Expansion - Wifi	4 LAN - Wifi	4 COM - Wifi
		HBJC390F841SZXA34B	HBJC390F841SZCX34B
	HBJC390F841SZXX34B	8 LAN - Wifi	8 COM - Wifi
		HBJC390F841SZAA34B	HBJC390F841SZCC34B
	16-bits GPIO - Wifi	32-bits GPIO - Wifi	4 USB3.0 - Wifi
	HBJC390F841SZXG34B	HBJC390F841SZGG34B	HBJC390F841SZXU34B
	4 COM + 4 LAN - Wifi	4 COM + 4 USB3.0 - Wifi	4 LAN + 4 USB3.0 - Wifi
	HBJC390F841SZCA34B	HBJC390F841SZCU34B	HBJC390F841SZAU34B
	4 COM + 16-bits GPIO - Wifi	4 LAN + 16-bits GPIO - Wifi	16-bits GPIO + 4 USB3.0 - Wifi
	HBJC390F841SZCG34B	HBJC390F841SZAG34B	HBJC390F841SZGU34B
BIOS	AMI EFI Flash ROM		
CPU/Chipset	Intel® Apollo Lake SoC Processor (J3455)		
Memory	1 * SO-DIMM DDR3L-1866MHz up to 8GB		
Storage	<ul style="list-style-type: none"> ● 1 * 2.5" SATA drive bay (only support 2.5" HDD with a height ≤ 10mm) ● 1 * M.2 (M-key SATA Interface, only support 2280) 		
Network	<ul style="list-style-type: none"> ● 2 * Intel i211AT GbE ● 2 * full size Mini-PCIe slot (Can be installed WiFi module & 3G/4G module) ● 1 * SIM card slot 		
TPM	TPM1.2/2.0 on-board (option)		
Rear Panel I/O	<ul style="list-style-type: none"> ● 4 * USB 3.0 ● 2 * HDMI 1.4 (Max. Resolution: 3840×2160@30Hz) ● 2 * RJ45 ● 1 * Audio combo Jack (Line-out & MIC) ● 2 * COM (RS232) ● 2 * Antenna holes (WiFi only) ● Lockable DC-in jack 		
Front Panel	<ul style="list-style-type: none"> ● 1 * Power button + LED 		

I/O	<ul style="list-style-type: none"> ● 1 * HDD LED ● COM (Expansion Module, support RS232/422/485) ● Intel Gigabit LAN (Expansion Module) ● USB3.0 (Expansion Module) ● 16-Bits GPIO (Expansion Module)
Power Source	<ul style="list-style-type: none"> ● DC 12V_60W Adapter ● AC 90~240V input
Compliance	CE, FCC, LVD
Temperature	<ul style="list-style-type: none"> ● Operating Temperature: 0 ~ 50°C (Under the condition of using 2.5" HDD) ● Operating Temperature: -20 ~ 60°C (Under the condition of using mSATA) (The test environment is closed and windless) ● Storage Temperature: -10 ~ 70°C ● Humidity: 90%, non-condensing
Dimensions	185 (W) x 165 (D) x 48 (H) mm
Packing	<ul style="list-style-type: none"> ● Net Weight: 2.4KG ● Gross Weight: 3.4KG ● Color Box dimension: 250 (W) * 118 (D) * 295 (H) mm
OS Support	Windows 10, Linux
Warranty	2 Years limited warranty
Applications	<ul style="list-style-type: none"> ● Industrial Control System ● Networking Server System

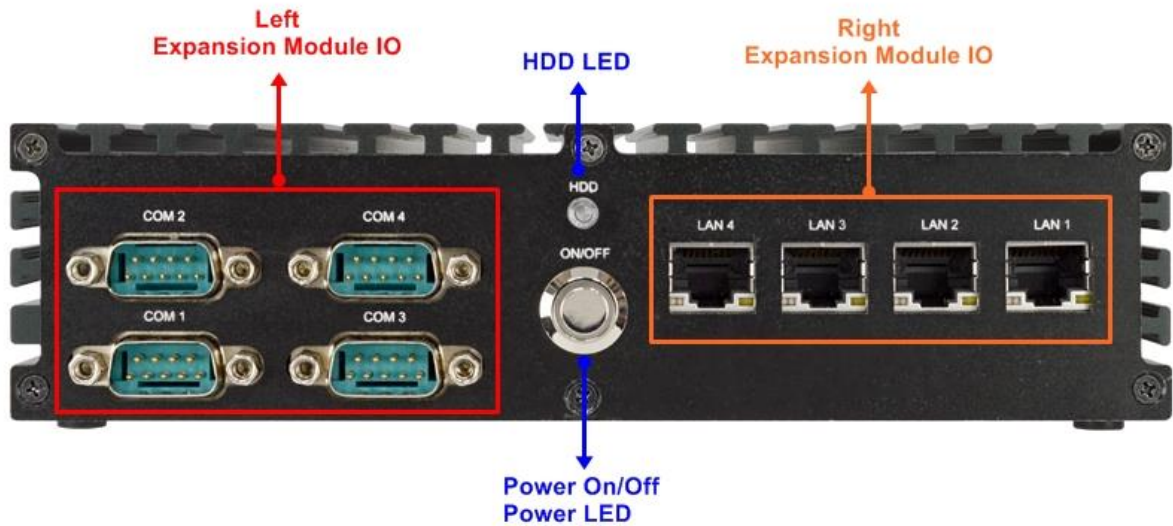
* Specifications subject to change without notice, not responsible for typographical errors. Does not include HDD or OS.

External I/O









Rear



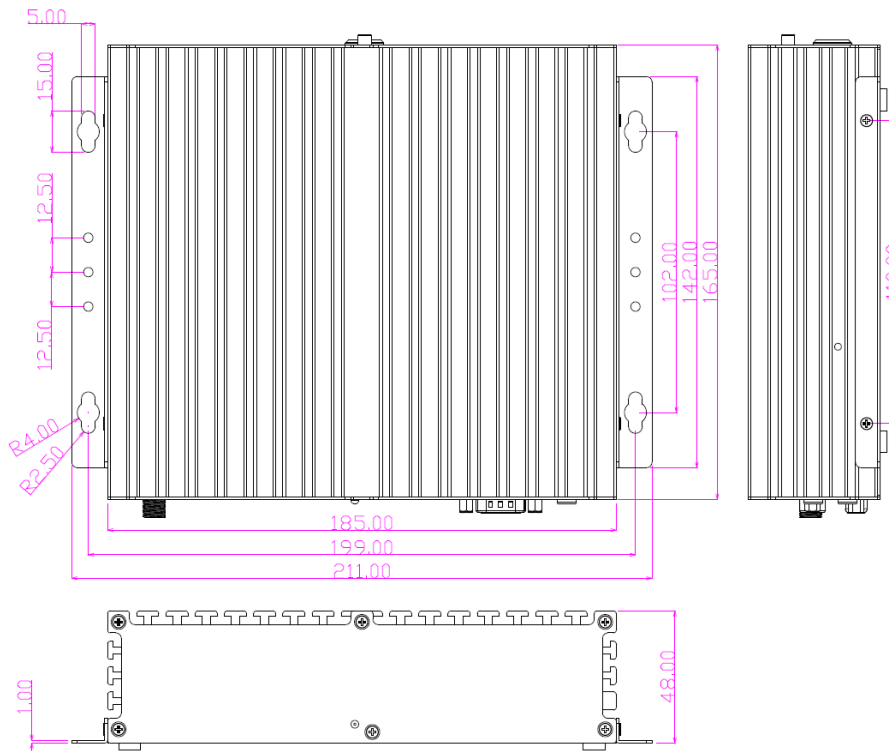
Front



Model number	Front - IO
<ul style="list-style-type: none"> ● HBJC390F841SXX34B ● HBJC390F841SZXX34B 	
<ul style="list-style-type: none"> ● HBJC390F841SXA34B ● HBJC390F841SZXA34B 	
<ul style="list-style-type: none"> ● HBJC390F841SCX34B ● HBJC390F841SZCX34B 	
<ul style="list-style-type: none"> ● HBJC390F841SXU34B ● HBJC390F841SZXU34B 	
<ul style="list-style-type: none"> ● HBJC390F841SXG4B ● HBJC390F841SZXG34B 	
<ul style="list-style-type: none"> ● HBJC390F841SCA34B ● HBJC390F841ZCA34B 	

<ul style="list-style-type: none"> ● HBJC390F841SCU34B ● HBJC390F841SZCU34B 	
<ul style="list-style-type: none"> ● HBJC390F841SCG34B ● HBJC390F841SZCG34B 	
<ul style="list-style-type: none"> ● HBJC390F841SAA34B ● HBJC390F841SZAA34B 	
<ul style="list-style-type: none"> ● HBJC390F841SCC34B ● HBJC390F841SZCC34B 	
<ul style="list-style-type: none"> ● HBJC390F841SAU34B ● HBJC390F841SZAU34B 	
<ul style="list-style-type: none"> ● HBJC390F841SAG34B ● HBJC390F841SZAG34B 	
<ul style="list-style-type: none"> ● HBJC390F841SGG34B ● HBJC390F841SZGG34B 	
<ul style="list-style-type: none"> ● HBJC390F841SGU34B ● HBJC390F841SZGU34B 	

Mechanical Drawings (Unit = mm)



Accessories

Parts Number	Description
-----	HBJC390F841S Series
Change according to shipping area	Power cord
L01AS052-F	Lockable Adapter 12V_60W
HCS370MWM01B-2-F	JC37x Wall mount bracket / Black color
LCSCHBJC3XX-F	Screw pack
HNSCOMWFAWCB161HF	Mini PCIe ac Wifi card (Wifi only)
J05-ANT-GX57245-F	Antenna2G4/5G 2.8dBi (WiFi only)
HCS3XXDINRAILPS-F	Din Rail Clip
J2ADPIE1ILAN4R20	Intel I211AT Giga LAN*4 Daughter Board (by product model)
J2ADPIE1G16IR10	PCIe x1 16bits GPIO Daughter Card (by product model)
J2ADPIE1U304R10	PCIe x1 USB3.0 4*Ports Daughter Card (by product model)
J2ADPIE1COM4R20	PCIe 4xCOM Ports Daughter Board (by product model)